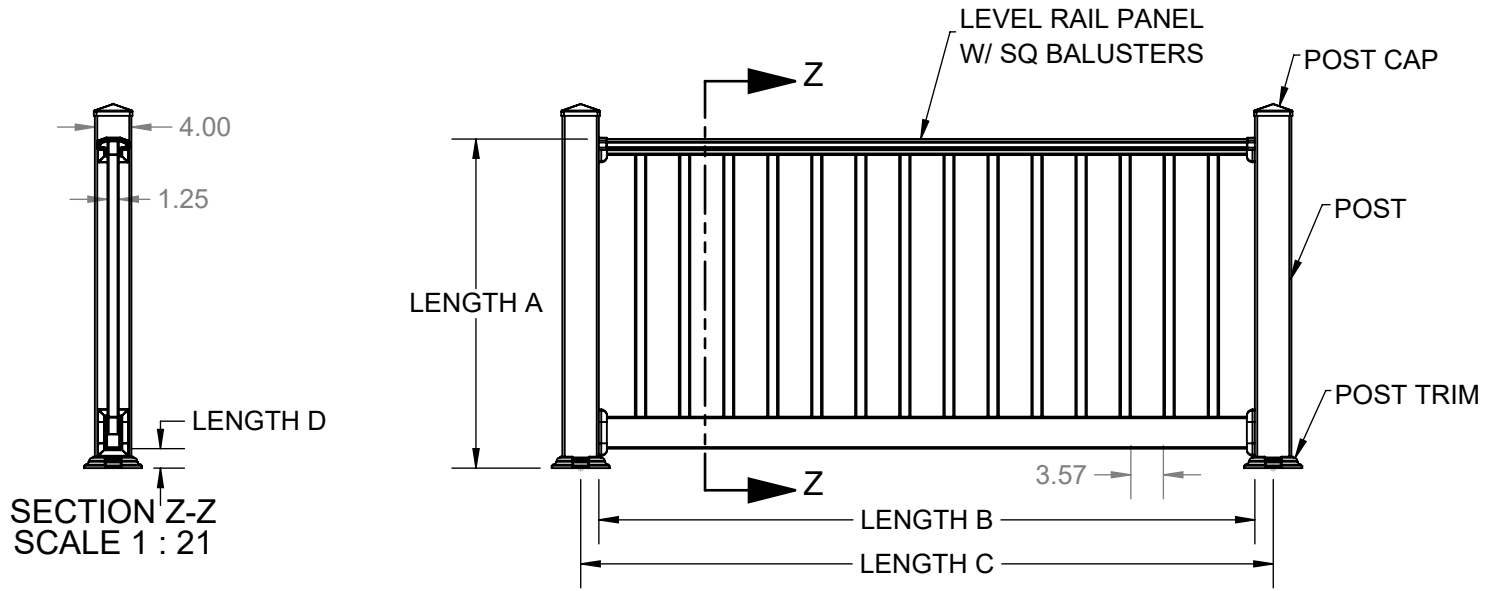


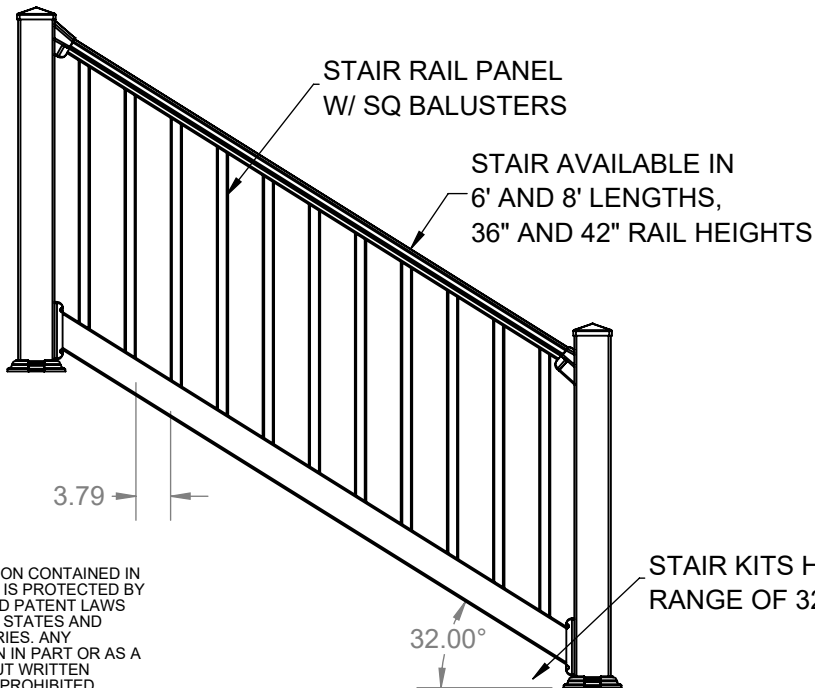
ORIGINAL RAIL LEVEL AND STAIR RAIL DETAILS



SECTION Z-Z
SCALE 1 : 21

NOTE:

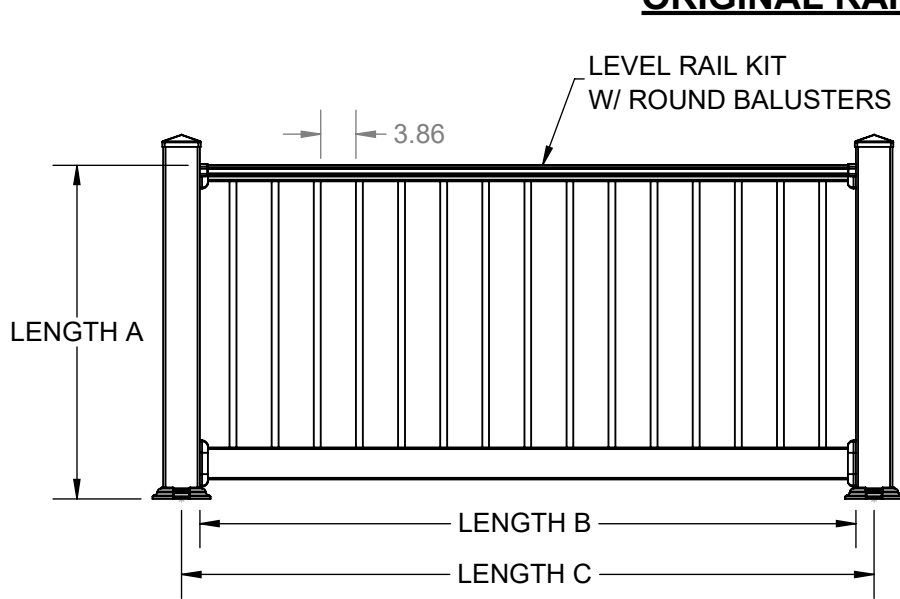
- (A) FINISHED RAIL HEIGHT = 36", 42"
- (B) PANEL LENGTH = 47.75", 71.75", 95.75", 119.75"
- (C) MAX SPANS= 98.5X36" IRC, 98.5X42" IBC
- (D) BOTTOM SPACE = 2"



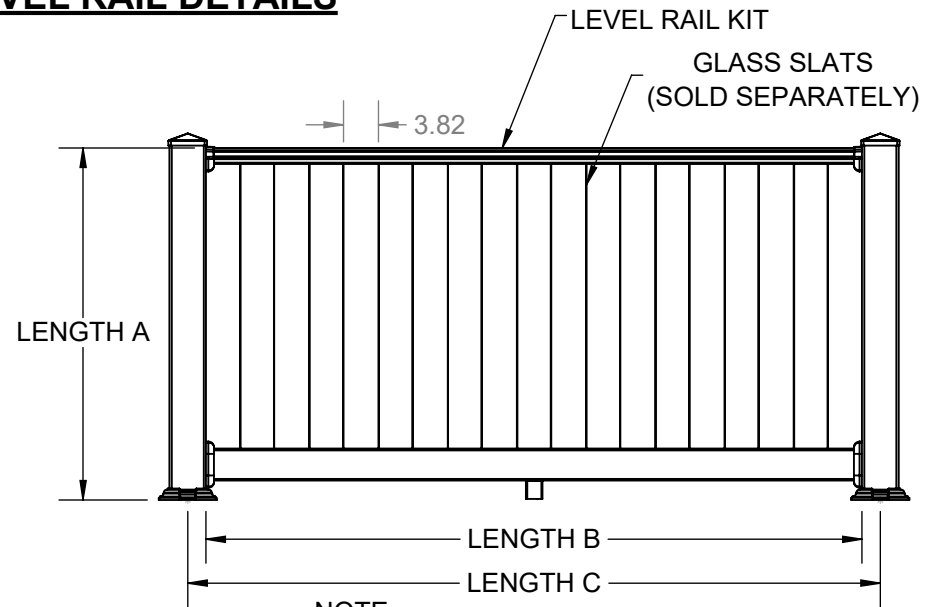
THE INFORMATION CONTAINED IN THIS DRAWING IS PROTECTED BY COPYRIGHT AND PATENT LAWS OF THE UNITED STATES AND OTHER COUNTRIES. ANY REPRODUCTION IN PART OR AS A WHOLE WITHOUT WRITTEN PERMISSION IS PROHIBITED.

		BARRETTE Outdoor Living	
DRAWN:	RP	DATE:	04/30/2018
APPROVED:			
ORIGINAL RAIL LEVEL AND STAIR RAIL			
SHEET 1 OF 4	REVISION	PART NUMBER	
SCALE 1:21	0	N/A	
WEIGHT: N/A			

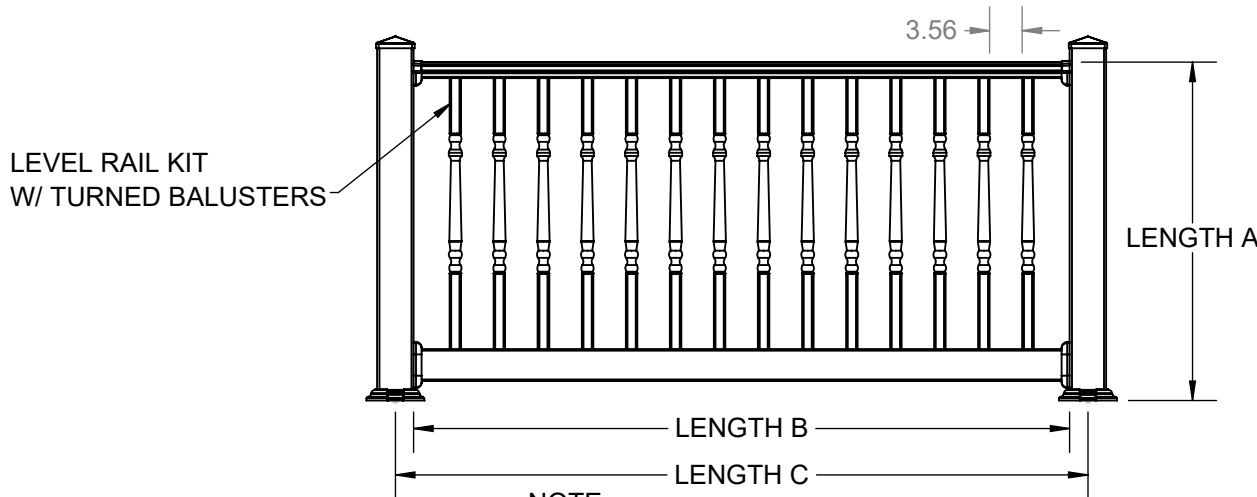
ORIGINAL RAIL LEVEL RAIL DETAILS



NOTE:
 (A) FINISHED RAIL HEIGHT = 36"
 (B) PANEL LENGTH = 71.75", 95.75", 119.75"
 (C) MAX SPANS= 98.5X36"




NOTE:
 (A) FINISHED RAIL HEIGHT = 38"
 (B) PANEL LENGTH = 71.75", 95.75"
 (C) MAX SPANS= 98.5X38"

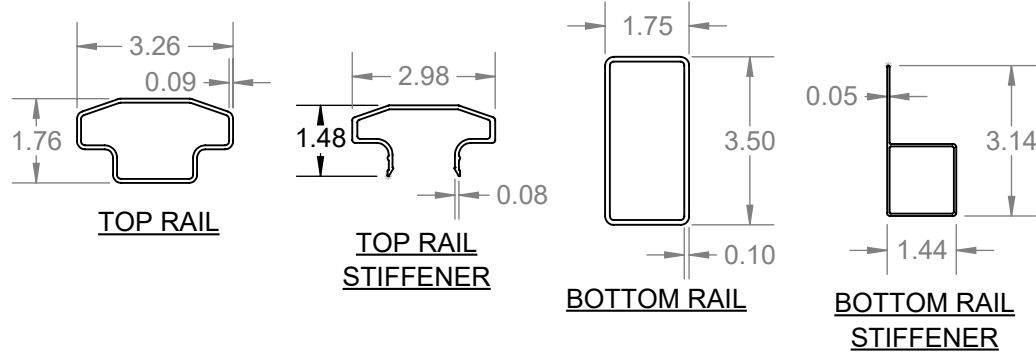


NOTE:
 (A) FINISHED RAIL HEIGHT = 36"
 (B) PANEL LENGTH = 71.75", 95.75", 119.75"
 (C) MAX SPANS= 98.5X36"

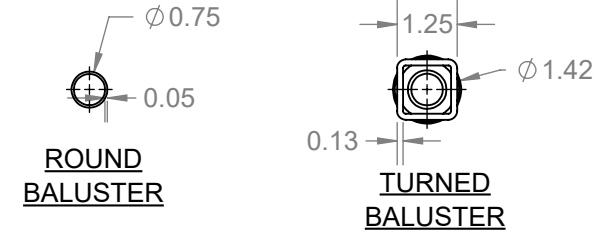
THE INFORMATION CONTAINED IN THIS DRAWING IS PROTECTED BY COPYRIGHT AND PATENT LAWS OF THE UNITED STATES AND OTHER COUNTRIES. ANY REPRODUCTION IN PART OR AS A WHOLE WITHOUT WRITTEN PERMISSION IS PROHIBITED.

		BARRETTE Outdoor Living	
DRAWN: RP	DATE: 04/30/2018	APPROVED:	
ORIGINAL RAIL LEVEL RAIL			
SHEET 2 OF 4		REVISION	PART NUMBER
SCALE 1:21		0	N/A
WEIGHT: N/A			

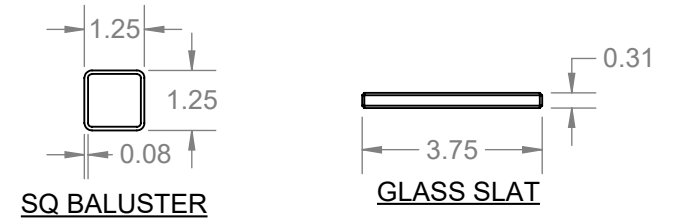
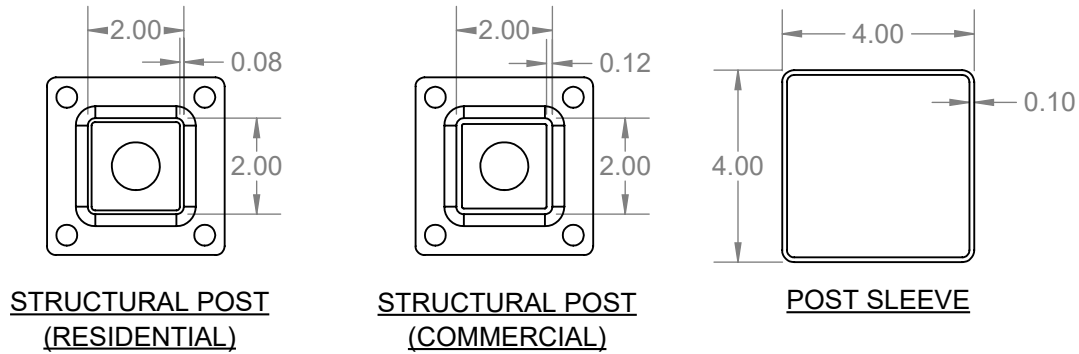
TOP AND BOTTOM RAIL



BALUSTERS



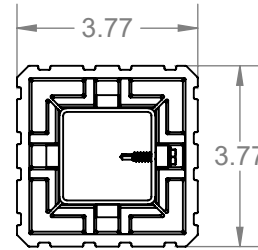
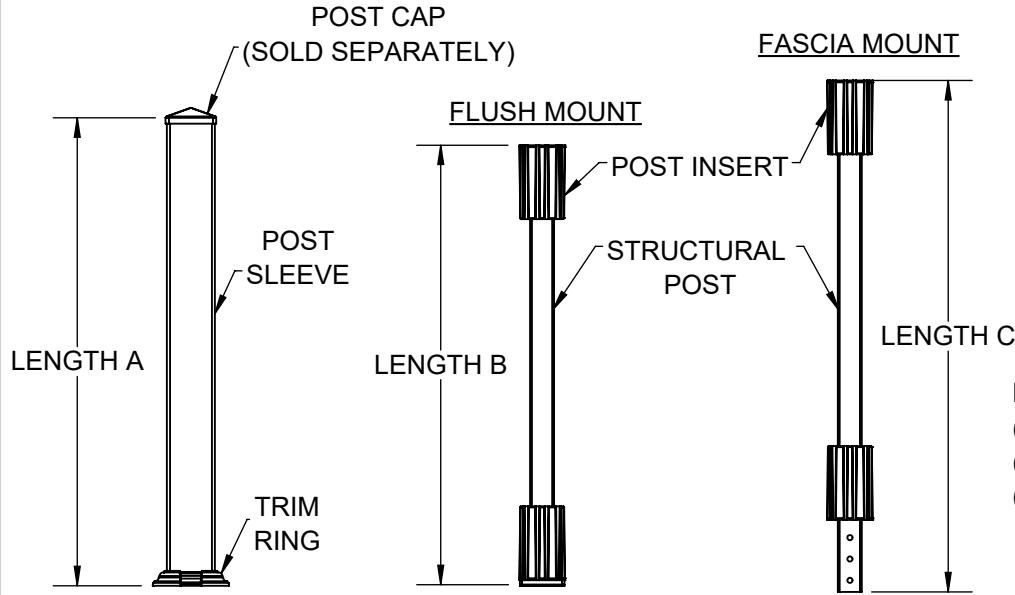
POST COMPONENTS



THE INFORMATION CONTAINED IN THIS DRAWING IS PROTECTED BY COPYRIGHT AND PATENT LAWS OF THE UNITED STATES AND OTHER COUNTRIES. ANY REPRODUCTION IN PART OR AS A WHOLE WITHOUT WRITTEN PERMISSION IS PROHIBITED.

		BARRETTE Outdoor Living	
DRAWN: RP	DATE: 04/30/2018	APPROVED:	
DESCRIPTION: ORIGINAL RAIL LEVEL AND STAIR RAIL			
SHEET 3 OF 4	REVISION	PART NUMBER	
SCALE 1:4	0	N/A	
WEIGHT: N/A			

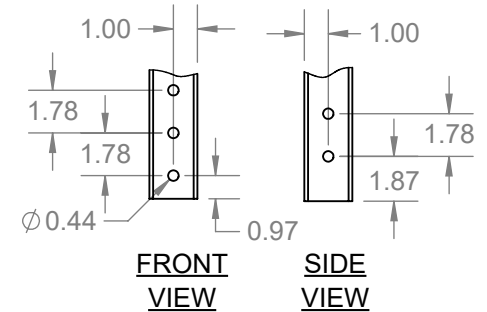
ORIGINAL RAIL POST AND MOUNT DETAILS



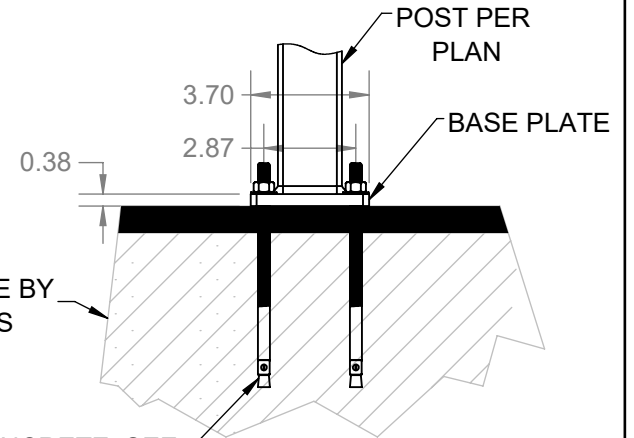
POST INSERT
TOP VIEW

NOTE:
 (A) = 39", 45", 54", 100", 108", 120"
 (B) = 36.625", 42.625"
 (C) = 42.625", 48.625"

FASCIA STRUCTURAL POST

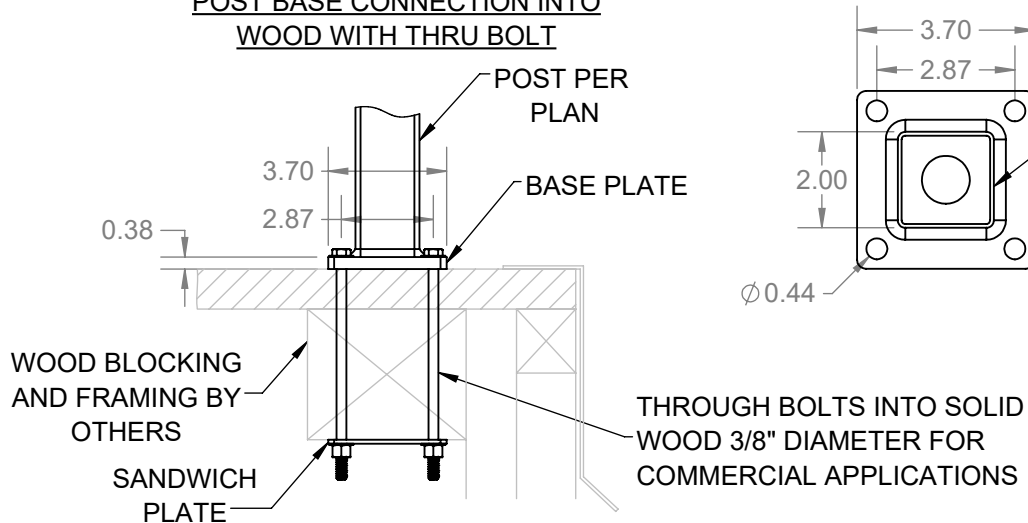


POST BASE CONNECTION INTO CONCRETE WITH WEDGE ANCHORS



ANCHOR INTO CONCRETE. SEE MANUFACTURER INSTRUCTIONS FOR DETAILS.

POST BASE CONNECTION INTO WOOD WITH THRU BOLT



NOTE:
 1. COMMERCIAL APPLICATIONS ARE ALWAYS BOLTED, USE 3/8" DIAMETER A307 THROUGH BOLTS INTO SOLID WOOD BLOCKING.
 2. WOOD BLOCKING BY OTHERS.
 3. BLOCKING MUST BE DESIGNED TO WITHSTAND PROPER LOADING.

THE INFORMATION CONTAINED IN THIS DRAWING IS PROTECTED BY COPYRIGHT AND PATENT LAWS OF THE UNITED STATES AND OTHER COUNTRIES. ANY REPRODUCTION IN PART OR AS A WHOLE WITHOUT WRITTEN PERMISSION IS PROHIBITED.

		BARRETTE Outdoor Living
DRAWN: RP	DATE: 04/30/2018	APPROVED:
ORIGINAL RAIL POST AND MOUNT DETAILS		
SHEET 4 OF 4	REVISION	PART NUMBER
SCALE 1:16	0	N/A
WEIGHT: N/A		