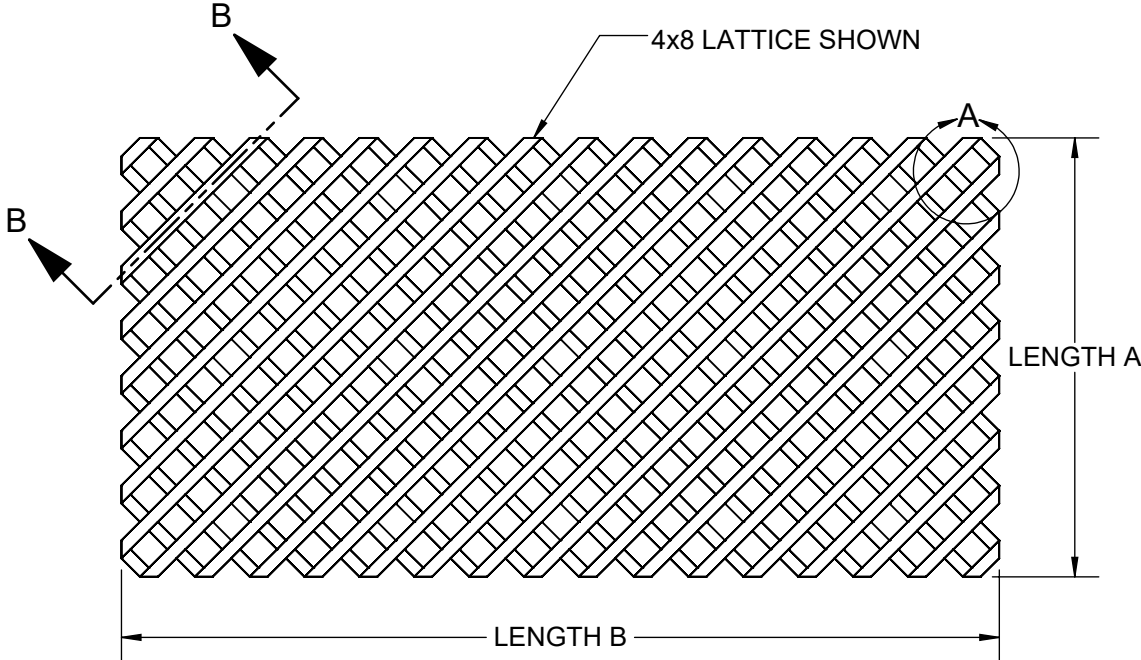
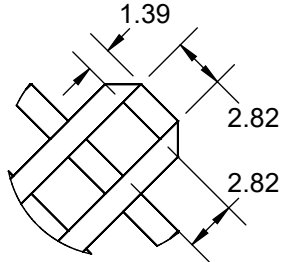


# CLASSIC DIAMOND LATTICE DETAILS



NOTE:  
 (A) = 24", 48"  
 (B) = 96"



DETAIL A  
SCALE 2 : 21

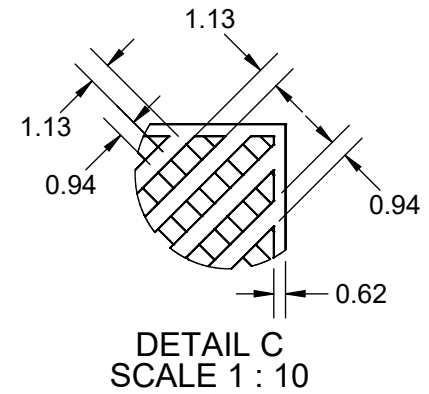
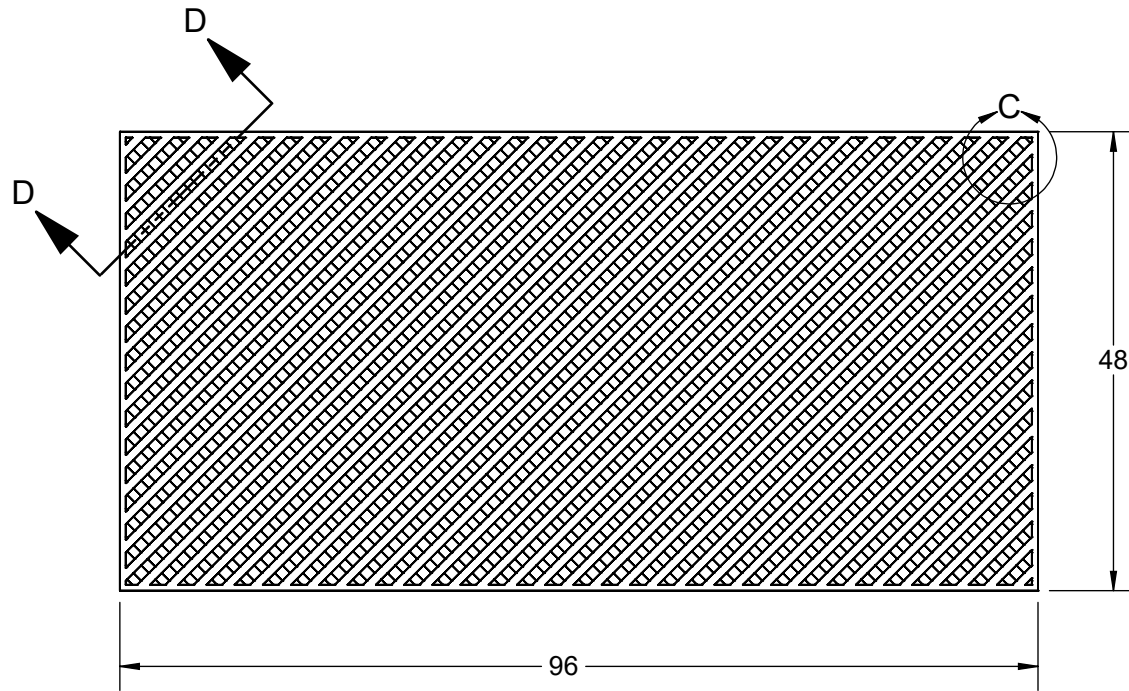


SECTION B-B  
SCALE 1 : 4

THE INFORMATION CONTAINED IN THIS DRAWING IS PROTECTED BY COPYRIGHT AND PATENT LAWS OF THE UNITED STATES AND OTHER COUNTRIES. ANY REPRODUCTION IN PART OR AS A WHOLE WITHOUT WRITTEN PERMISSION IS PROHIBITED.


		<b>BARRETTE</b> Outdoor Living	
DRAWN: RP	DATE: 06/06/2018	APPROVED:	
<b>CLASSIC DIAMOND LATTICE</b>			
SHEET 1 OF 3	REVISION	PART NUMBER	
SCALE 1:21	0	<b>N/A</b>	
WEIGHT: N/A			

# PRIVACY DIAMOND LATTICE DETAILS

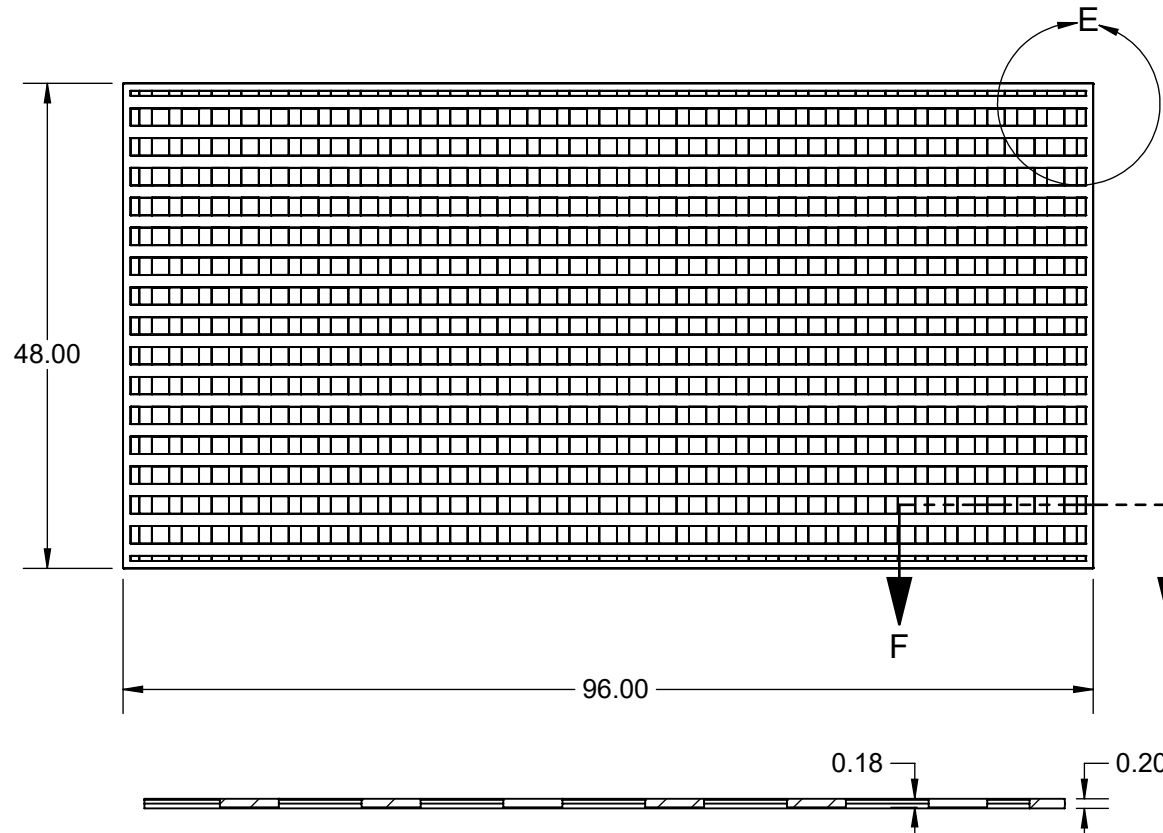


**SECTION D-D**  
SCALE 1 : 4

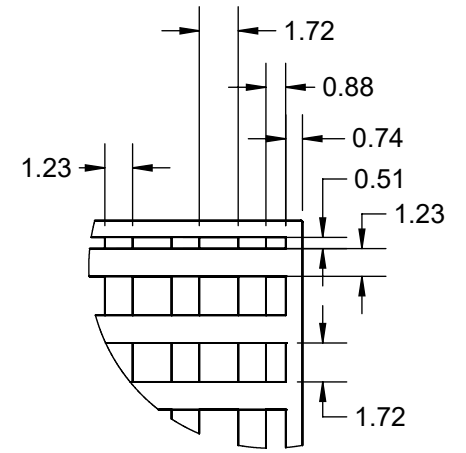
THE INFORMATION CONTAINED IN THIS DRAWING IS PROTECTED BY COPYRIGHT AND PATENT LAWS OF THE UNITED STATES AND OTHER COUNTRIES. ANY REPRODUCTION IN PART OR AS A WHOLE WITHOUT WRITTEN PERMISSION IS PROHIBITED.

		<b>BARRETTE</b> Outdoor Living	
DRAWN: RP	DATE: 06/06/2018	APPROVED:	
DESCRIPTION: <b>PRIVACY DIAMOND LATTICE 4'x8'</b>			
SHEET 2 OF 3	REVISION	PART NUMBER	
SCALE 1:20	0	<b>N/A</b>	
WEIGHT: N/A			

# PRIVACY SQUARE LATTICE DETAILS




SECTION F-F  
SCALE 1 : 4



DETAIL E  
SCALE 2 : 17

THE INFORMATION CONTAINED IN THIS DRAWING IS PROTECTED BY COPYRIGHT AND PATENT LAWS OF THE UNITED STATES AND OTHER COUNTRIES. ANY REPRODUCTION IN PART OR AS A WHOLE WITHOUT WRITTEN PERMISSION IS PROHIBITED.

		<b>BARRETTE</b> Outdoor Living	
DRAWN: RP	DATE: 06/06/2018	APPROVED:	
DESCRIPTION: <b>PRIVACY SQUARE LATTICE 4'x8'</b>			
SHEET 3 OF 3		REVISION	PART NUMBER
SCALE 1:19		0	<b>N/A</b>
WEIGHT: N/A			