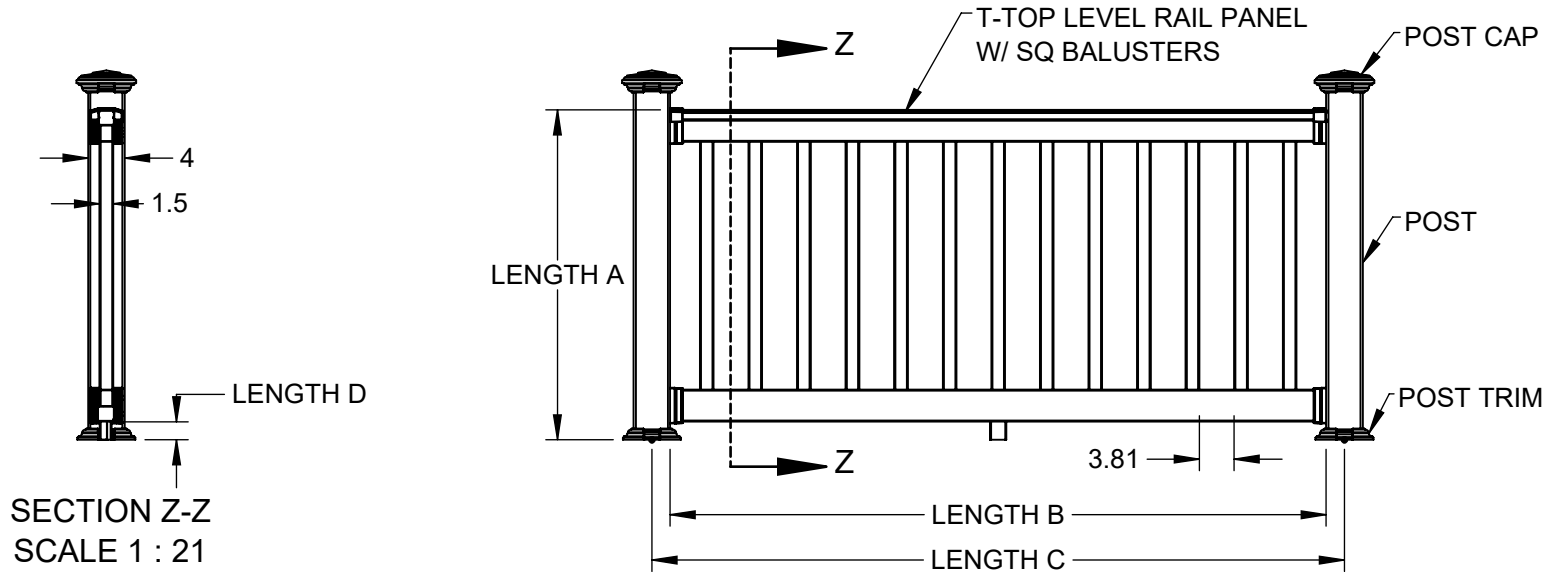


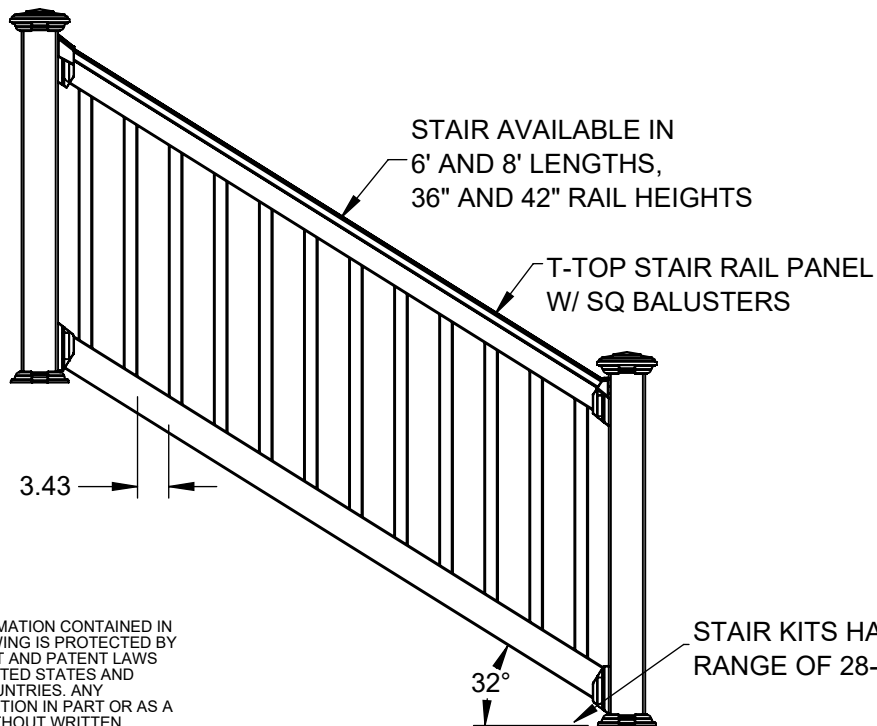
FINYL LINE T-TOP LEVEL AND STAIR RAIL DETAILS



SECTION Z-Z
SCALE 1 : 21


NOTE:

- (A) FINISHED RAIL HEIGHT = 36", 42"
- (B) PANEL LENGTH = 47.75", 59.75", 71.75", 95.75", 119.75"
- (C) MAX SPANS = 120X36" IRC, 96X42" IBC
- (D) BOTTOM SPACE = 2"



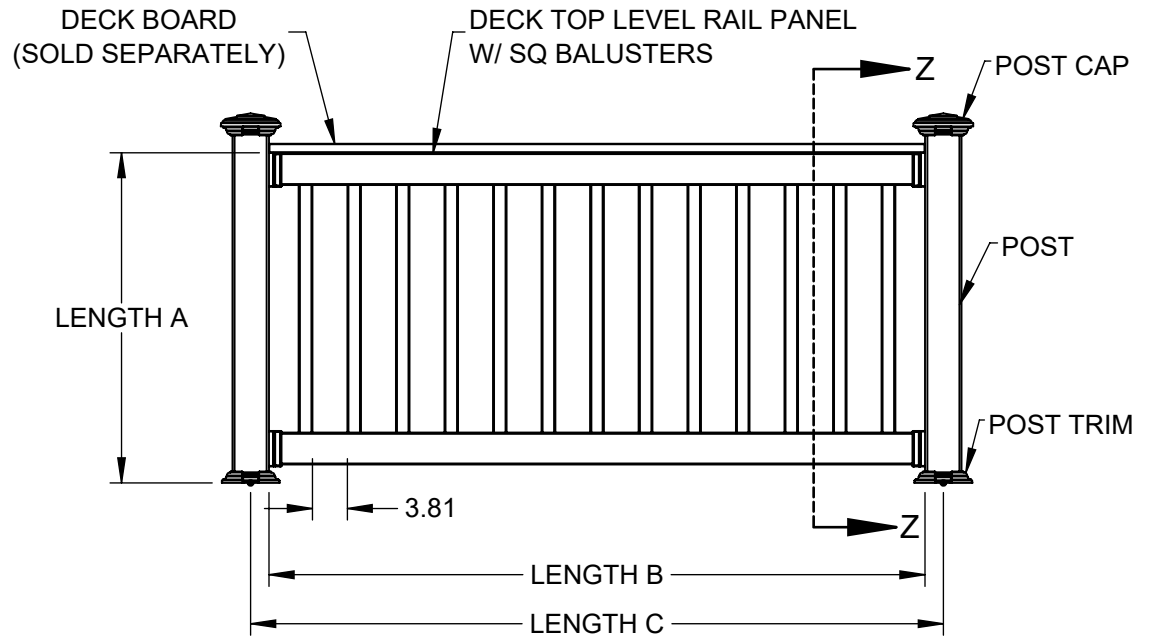
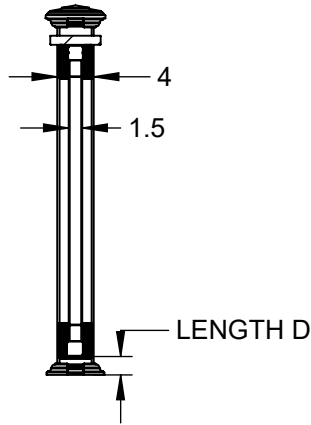
STAIR KITS HAVE A WORKING RANGE OF 28-38 DEGREES.

THE INFORMATION CONTAINED IN THIS DRAWING IS PROTECTED BY COPYRIGHT AND PATENT LAWS OF THE UNITED STATES AND OTHER COUNTRIES. ANY REPRODUCTION IN PART OR AS A WHOLE WITHOUT WRITTEN PERMISSION IS PROHIBITED.

		BARRETTE Outdoor Living	
DRAWN: TB	DATE: 06/07/2021	APPROVED: CH	
DESCRIPTION: FINYL LINE T-TOP LEVEL AND STAIR RAIL			
SHEET 1 OF 5	REVISION	PART NUMBER	
SCALE 1:21	0	N/A	
WEIGHT: N/A			

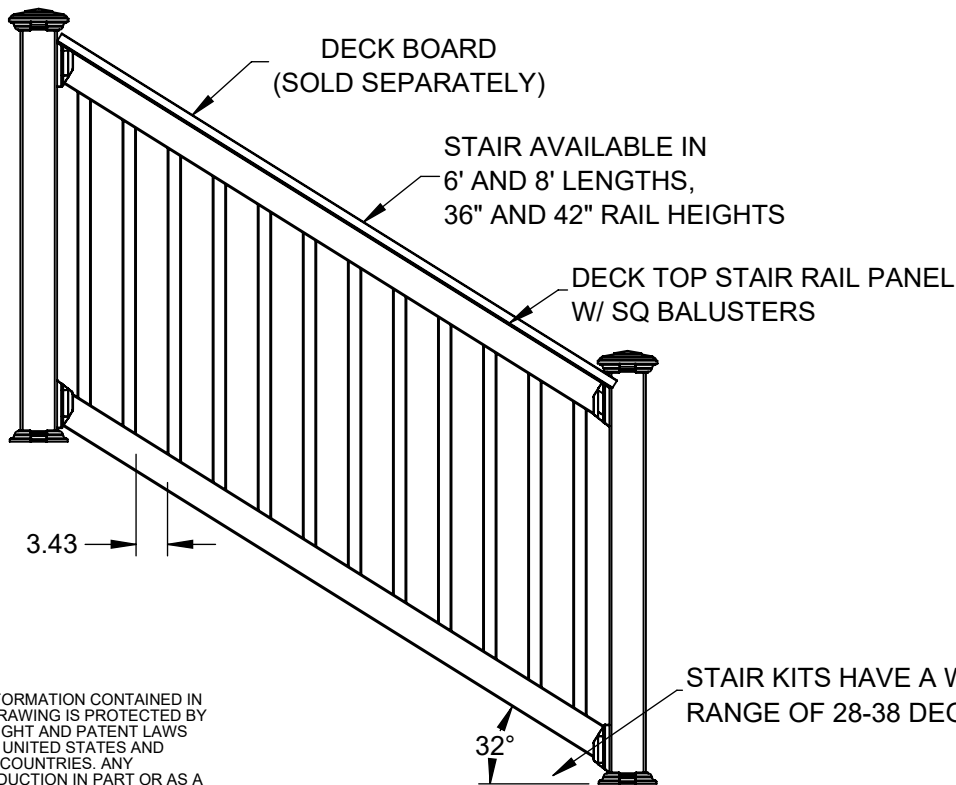
FINYL LINE DECK TOP LEVEL AND STAIR RAIL DETAILS

SECTION Z-Z
SCALE 1 : 21



NOTE:

- (A) FINISHED RAIL HEIGHT (TOP OF RAIL TO FLOOR) = 36", 42"
- (B) PANEL LENGTH = 47.75", 59.75", 71.75", 95.75", 119.75"
- (C) MAX SPANS = 120X36" IRC, 96X42" IBC
- (D) BOTTOM SPACE = 2"

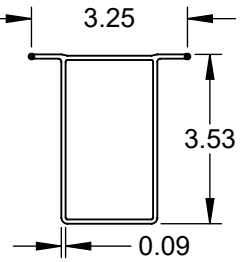


THE INFORMATION CONTAINED IN THIS DRAWING IS PROTECTED BY COPYRIGHT AND PATENT LAWS OF THE UNITED STATES AND OTHER COUNTRIES. ANY REPRODUCTION IN PART OR AS A WHOLE WITHOUT WRITTEN PERMISSION IS PROHIBITED.

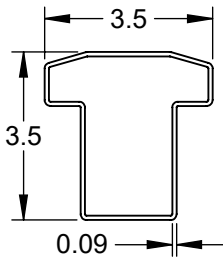
		BARRETTE Outdoor Living	
DRAWN:	TB	DATE:	06/07/2021
APPROVED:			CH
FINYL LINE DECK TOP LEVEL AND STAIR RAIL			
SHEET 2 OF 5	REVISION	PART NUMBER	
SCALE 1:21	0	N/A	
WEIGHT: N/A			

TOP AND BOTTOM RAIL

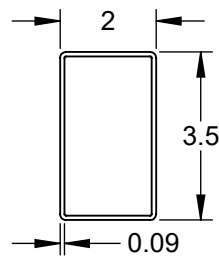
NOTE: STIFFENER SELECTION DEPENDS ON SPAN OF SELECTION. SEE PFS TECO RESEARCH REPORT 0112



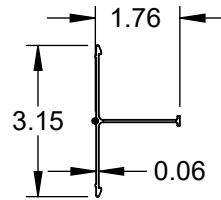
DECK TOP RAIL



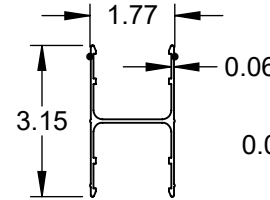
T-TOP RAIL



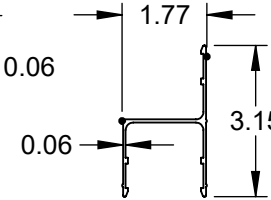
BOTTOM RAIL



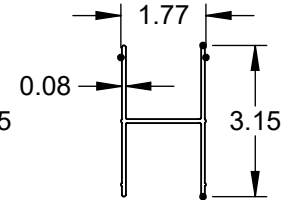
BOTTOM RAIL STIFFENER



TOP RAIL STIFFENER



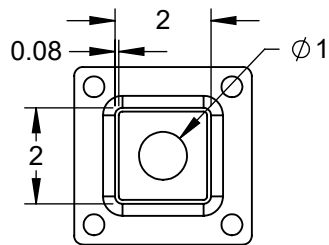
BOTTOM RAIL STIFFENER



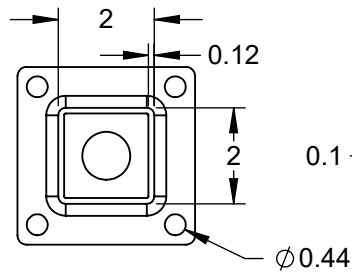
HEAVY TOP RAIL STIFFENER

SEE CODE DOC

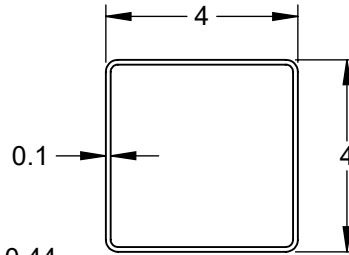
POST COMPONENTS



STRUCTURAL POST (RESIDENTIAL)

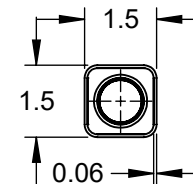


STRUCTURAL POST (COMMERCIAL)

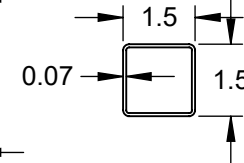


SQ POST SLEEVE

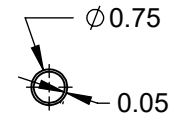
BALUSTERS



TURNED BALUSTER



SQ BALUSTER

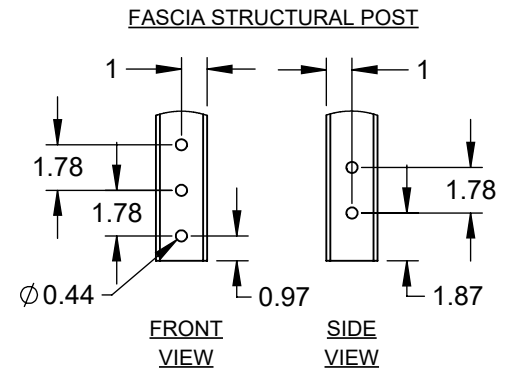
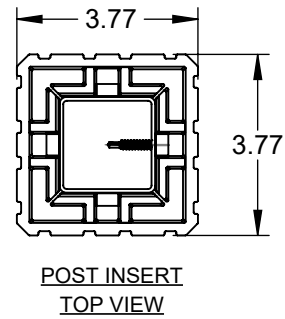
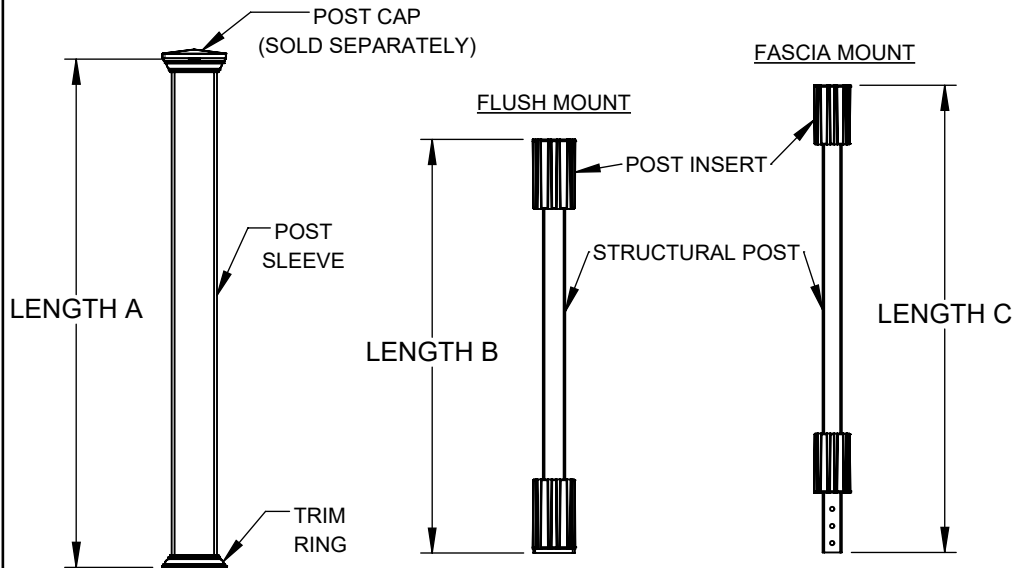


ROUND BALUSTER

THE INFORMATION CONTAINED IN THIS DRAWING IS PROTECTED BY COPYRIGHT AND PATENT LAWS OF THE UNITED STATES AND OTHER COUNTRIES. ANY REPRODUCTION IN PART OR AS A WHOLE WITHOUT WRITTEN PERMISSION IS PROHIBITED.

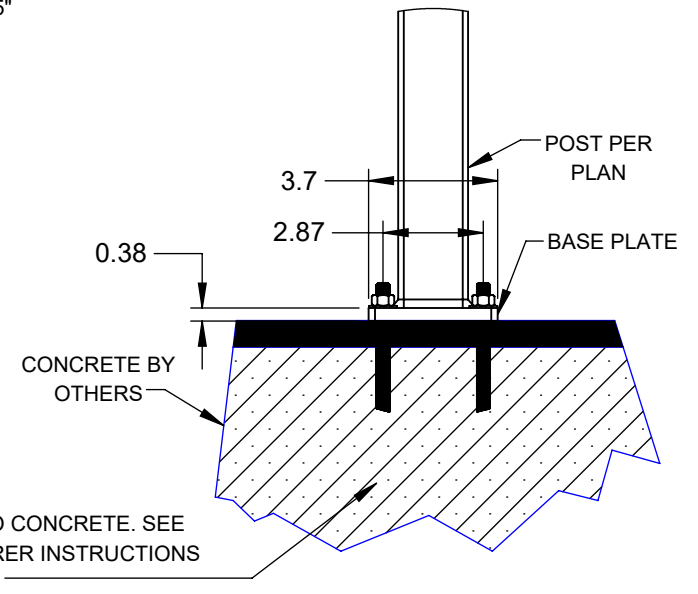
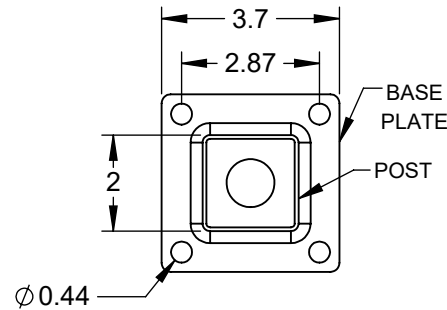
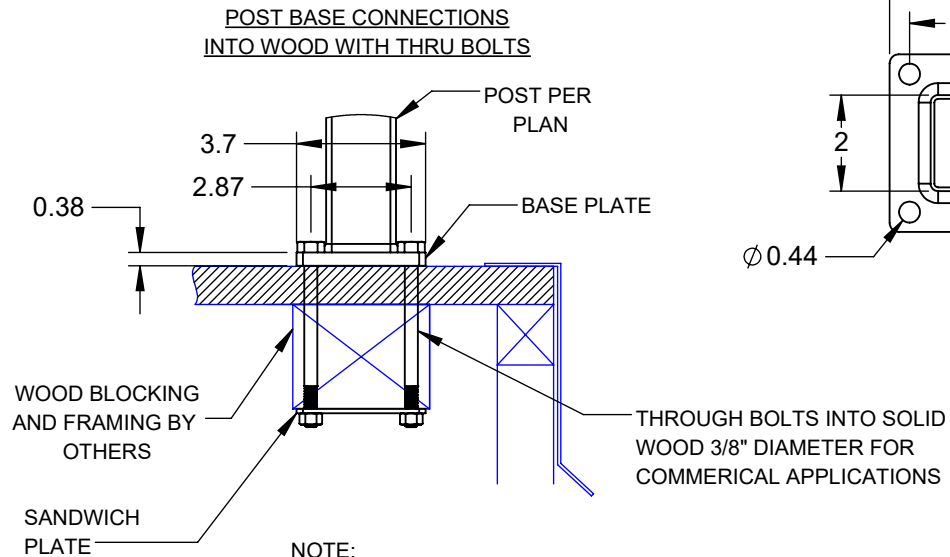
		BARRETTE Outdoor Living	
DRAWN: TB	DATE: 06/07/2021	APPROVED: CH	
FINYL LINE PROFILE DETAILS			
SHEET 3 OF 5		REVISION	PART NUMBER
SCALE 1:4		0	N/A
WEIGHT: N/A			

FINYL LINE POST AND MOUNT DETAILS



NOTE:
 (A) = 39", 45", 54", 100", 108", 120"
 (B) = 36.625", 42.625"
 (C) = 42.625", 48.625"

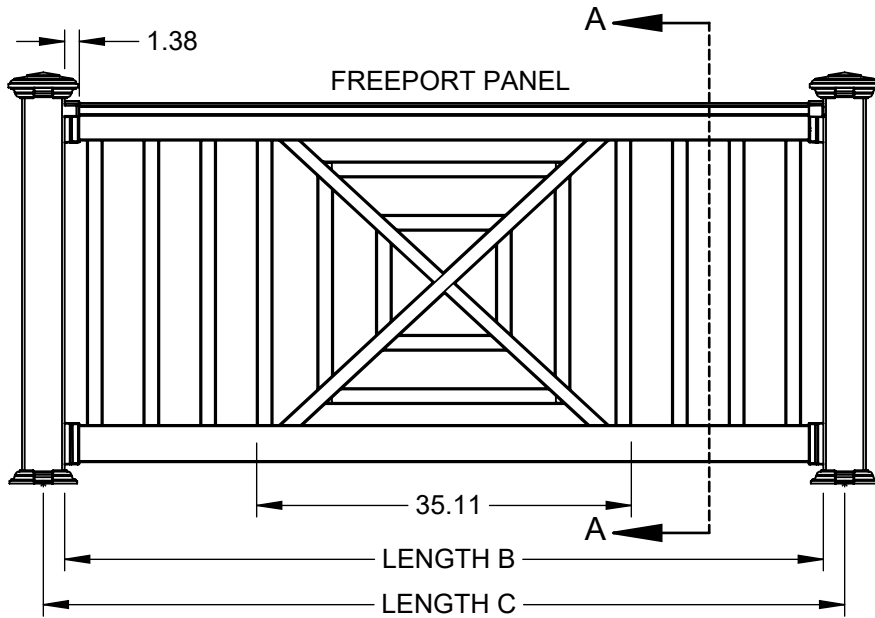
POST BASE CONNECTION INTO CONCRETE W/ WEDGE ANCHORS



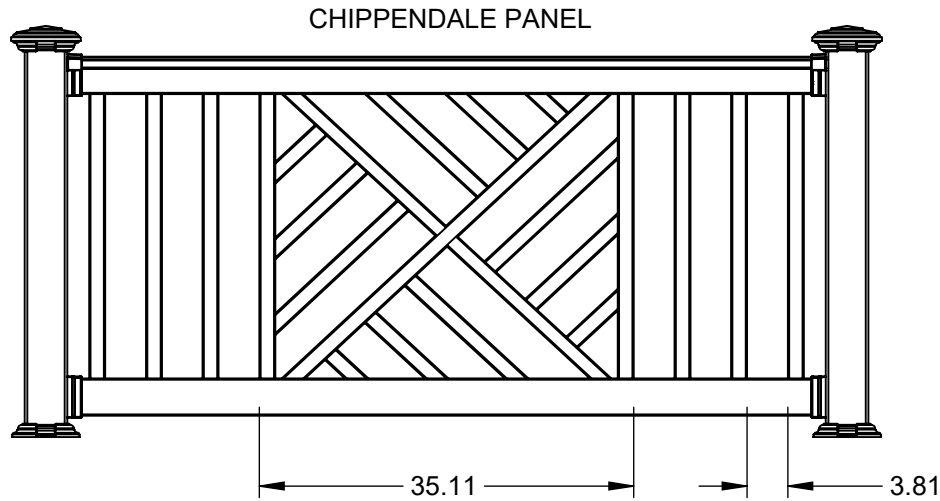
NOTE:
 1. COMMERCIAL APPLICATIONS ARE ALWAYS BOLTED, USE 3/8" DIAMETER A307 THROUGH BOLTS (MIN 5" LENGTH) INTO SOLID WOOD BLOCKING (MIN 4" EMBEDMENT DEPTH).
 2. WOOD BLOCKING BY OTHERS.
 3. BLOCKING MUST BE DESIGNED TO WITHSTAND PROPER LOADING.

THE INFORMATION CONTAINED IN THIS DRAWING IS PROTECTED BY COPYRIGHT AND PATENT LAWS OF THE UNITED STATES AND OTHER COUNTRIES. ANY REPRODUCTION IN PART OR AS A WHOLE WITHOUT WRITTEN PERMISSION IS PROHIBITED.

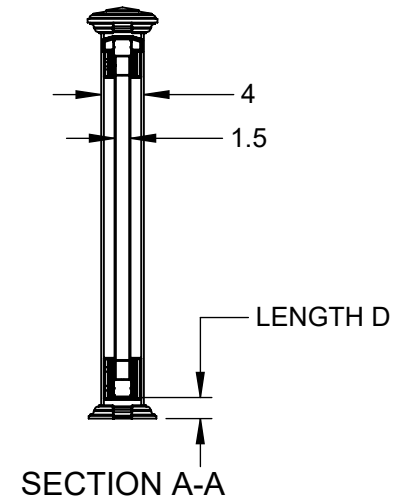
TOLERANCES		BARRETTE Outdoor Living	
FRACTION	±1/16	DRAWN:	TB
XX	±0.01	DATE:	6/7/2021
XXX	±0.005	APPROVED:	
ANGLE	±1.0°	FINYL LINE POST & MOUNT DETAILS	
FINISH	125 RMS	SHEET 4 OF 5	REVISION PART NUMBER
UNLESS OTHERWISE SPECIFIED		SCALE 1:16	0
		WEIGHT: 29.92	N/A



MINIMUM PANEL WIDTH: $35.11 + 2(1.38) = 37.87$




MINIMUM PANEL WIDTH: $35.11 + 2(1.38) = 37.87$



NOTE:

- (A) FINISHED RAIL HEIGHT = 36"
- (B) PANEL LENGTH = 71.75", 95.75", 119.75"
- (C) MAX SPANS = 117.25" X 36" IRC
- (D) BOTTOM SPACE = 2"

THE INFORMATION CONTAINED IN THIS DRAWING IS PROTECTED BY COPYRIGHT AND PATENT LAWS OF THE UNITED STATES AND OTHER COUNTRIES. ANY REPRODUCTION IN PART OR AS A WHOLE WITHOUT WRITTEN PERMISSION IS PROHIBITED.

TOLERANCES				BARRETTE Outdoor Living	
FRACTION	±1/16	DRAWN:	TB	DATE:	6/7/2021
XX	±0.01	APPROVED:			
XXX	±0.005	DESCRIPTION:			
ANGLE	±1.0°	FINYL LINE T-TOP DECORATIVE INFILL			
FINISH	125 RMS	SHEET 5 OF 5		REVISION	PART NUMBER
UNLESS OTHERWISE SPECIFIED		SCALE 1:16		0	
		WEIGHT: 29.92		N/A	