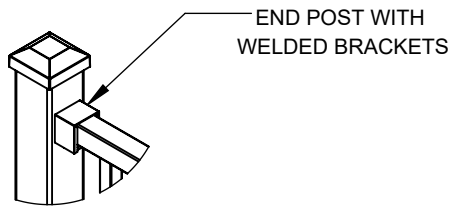
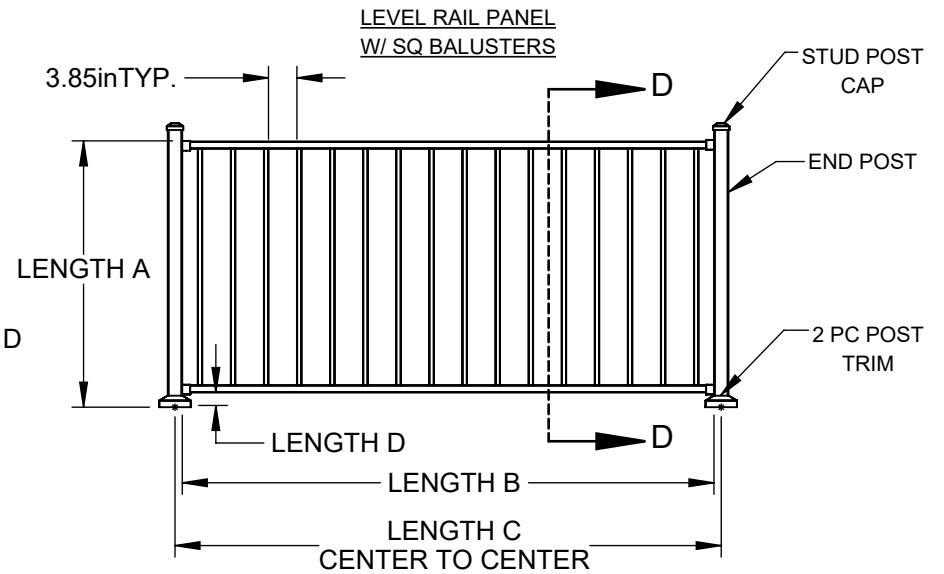
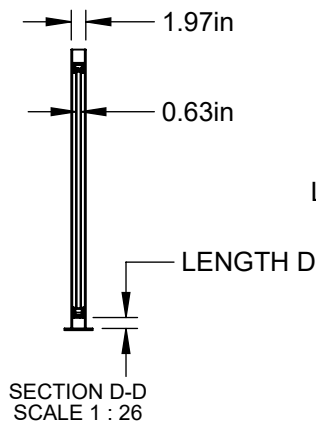


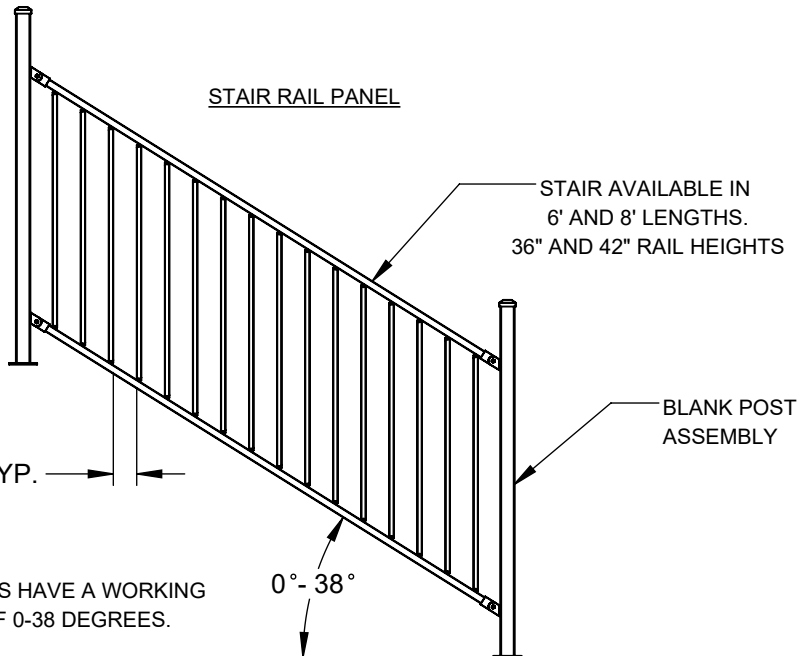
### EXCALIBUR LEVEL AND STAIR RAIL DETAILS



NOTES:  
POST INCLUDES BRACKET  
COVERS TO HIDE FASTENERS




NOTES:  
(A) FINISHED RAIL HEIGHT = 36", 38", 42"  
(B) PANEL LENGTH = 71.75", 95.75", 119.75"  
(C) MAX SPAN = 96.00" X 42 IBC, 96.00" X 36 IRC  
(D) BOTTOM SPACE = 1.75", 3.75"



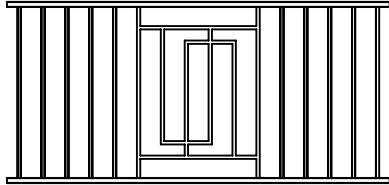
NOTES:  
STAIR KITS HAVE A WORKING  
RANGE OF 0-38 DEGREES.

THE INFORMATION CONTAINED IN  
THIS DRAWING IS PROTECTED BY  
COPYRIGHT AND PATENT LAWS  
OF THE UNITED STATES AND  
OTHER COUNTRIES. ANY  
REPRODUCTION IN PART OR AS A  
WHOLE WITHOUT WRITTEN  
PERMISSION IS PROHIBITED.

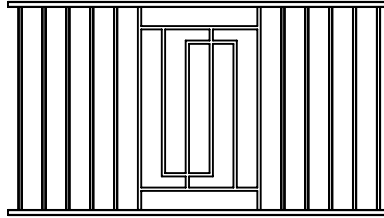
TOLERANCES		 <b>BARRETTE</b> Outdoor Living	
FRACTION	±1/16	DRAWN:	TB
XX	±0.01	DATE:	5/18/2021
XXX	±0.005	APPROVED:	
ANGLE	±1.0°	DESCRIPTION: <b>EXCALIBUR LEVEL AND STAIR RAIL</b>	
FINISH	125 RMS	SHEET 1 OF 8	REVISION PART NUMBER
UNLESS OTHERWISE SPECIFIED		SCALE: NTS	0
		WEIGHT: 43.67	N/A

DECORATIVE PANEL

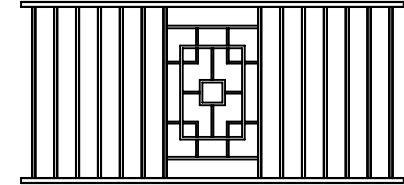
SERPENTINE  
71.75"x34"



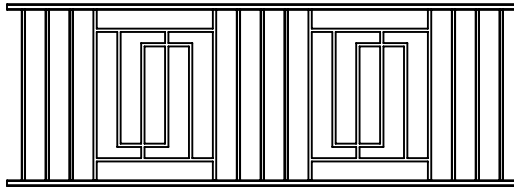
SERPENTINE  
71.75"x40"



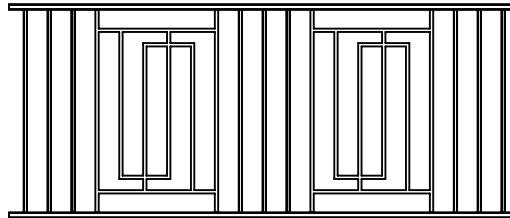
MOSAIC  
71.75"x34"



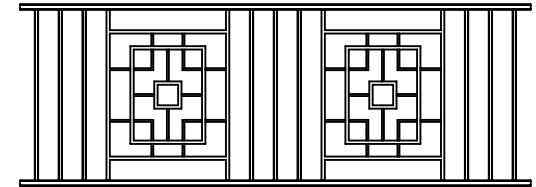
SERPENTINE  
95.75"x34"



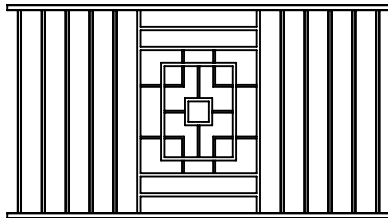
SERPENTINE  
95.75"x40"



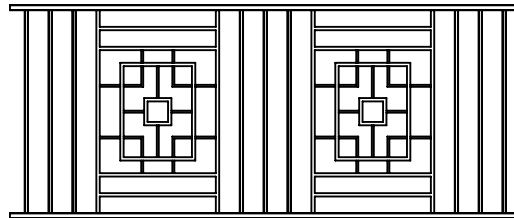
MOSAIC  
95.75"x34"




MOSAIC  
71.75"x40"



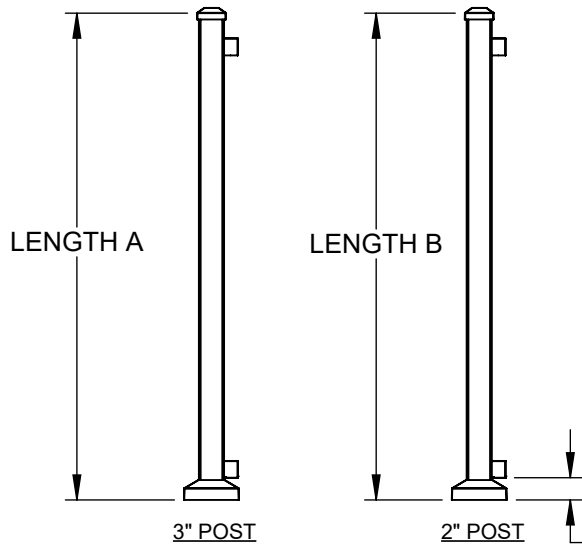
MOSAIC  
71.75"x40"



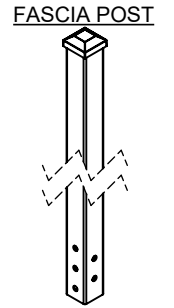
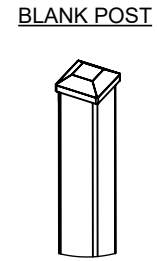
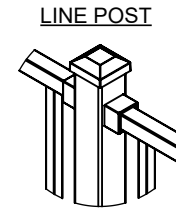
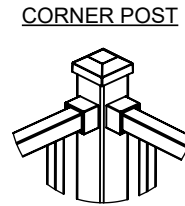
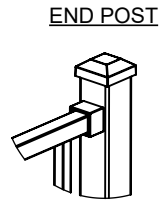
THE INFORMATION CONTAINED IN THIS DRAWING IS PROTECTED BY COPYRIGHT AND PATENT LAWS OF THE UNITED STATES AND OTHER COUNTRIES. ANY REPRODUCTION IN PART OR AS A WHOLE WITHOUT WRITTEN PERMISSION IS PROHIBITED.

<b>TOLERANCES</b>				<b>BARRETTE</b> Outdoor Living	
FRACTION	±1/16	DRAWN:	TB	DATE:	5/18/2021
XX	±0.01	APPROVED:			
XXX	±0.005	DESCRIPTION:			
ANGLE	±1.0°	<b>DECORATIVE PANELS</b>			
FINISH	125 RMS	SHEET 2 OF 8	REVISION	PART NUMBER	
UNLESS OTHERWISE SPECIFIED		SCALE 1:36	0	N/A	
		WEIGHT: 43.67			

**EXCALIBUR COMPONENT DETAILS**

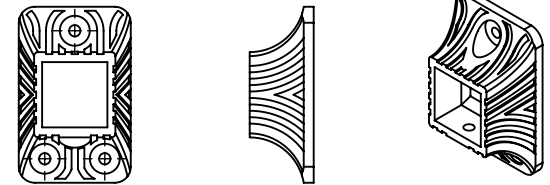


NOTES:  
 A = 38", 40", 46"  
 B = 38", 40", 44", 46", 48"  
 C = 2.75", 3.75"

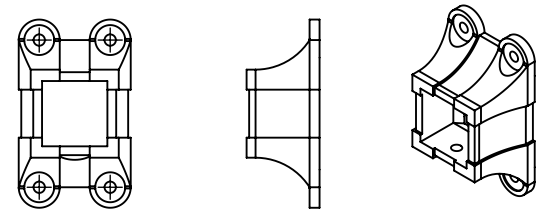


NOTE: BRACKET KITS INCLUDE (EXCEPT BLANK AND FASCIA POST), POST TOP, BRACKET COVERS, TRIM RING, VINYL SHIMS, HEX HEAD MOUNTING SCREWS, AND HEX BIT FOR ATTACHMENT TO STEEL OR WOOD POST.

**SCROLLWORK DECORATIVE LEVEL BRACKET**



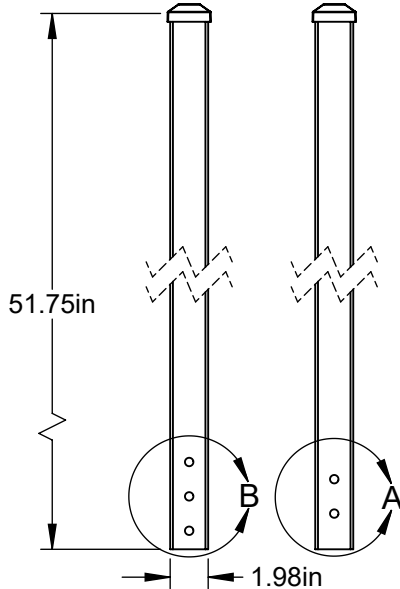
**IMPERIAL DECORATIVE LEVEL BRACKET**



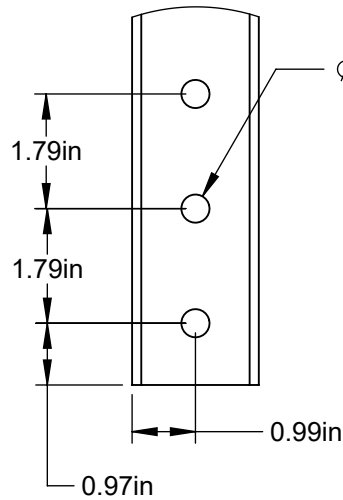
**FASCIA POST**

FRONT VIEW

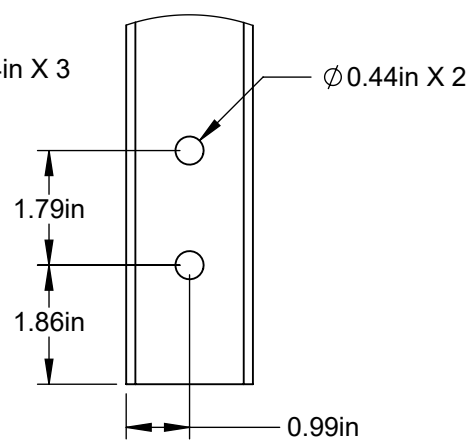
SIDE VIEW



**DETAIL B SCALE 1 3.5**



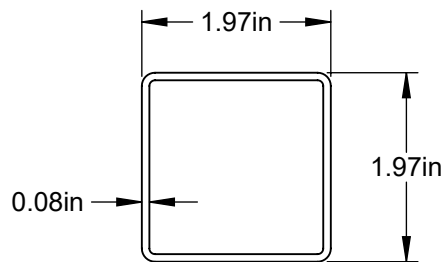
**DETAIL A SCALE 1 3.5**



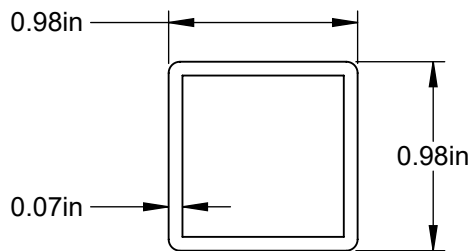
THE INFORMATION CONTAINED IN THIS DRAWING IS PROTECTED BY COPYRIGHT AND PATENT LAWS OF THE UNITED STATES AND OTHER COUNTRIES. ANY REPRODUCTION IN PART OR AS A WHOLE WITHOUT WRITTEN PERMISSION IS PROHIBITED.

<b>TOLERANCES</b>				<b>BARRETTE</b> Outdoor Living	
FRACTION	±1/16	DRAWN:	TB	DATE:	5/18/2021
XX	±0.01	APPROVED:			
XXX	±0.005	DESCRIPTION:			
ANGLE	±1.0°	<b>EXCALIBUR COMPONENT DETAILS</b>			
FINISH	125 RMS	SHEET 3 OF 8		REVISION	PART NUMBER
UNLESS OTHERWISE SPECIFIED		SCALE 1:16		0	
		WEIGHT: 43.67		N/A	

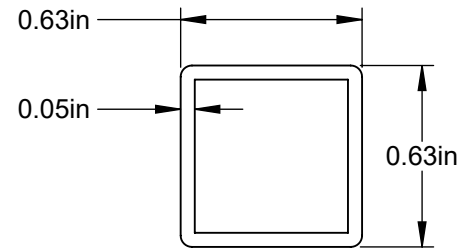
EXCALIBUR COMPONENT DETAILS



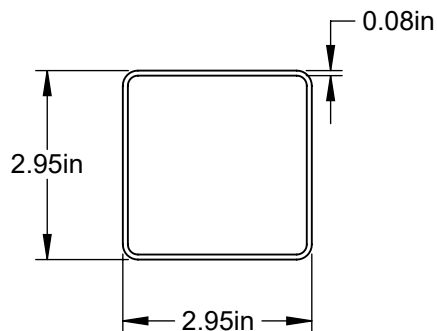
2" POST



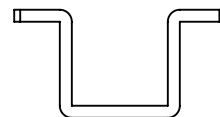
TOP / BTM RAIL



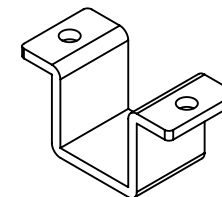
SQ BALUSTER



3" POST




FLUSH MOUNT BRKT



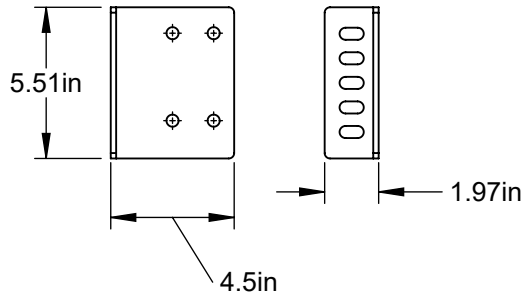
NOTE:  
1. FLUSH BRKT USED TO ATTACH WOOD/DECK BOARD. FASTENERS ARE INCLUDED.

THE INFORMATION CONTAINED IN THIS DRAWING IS PROTECTED BY COPYRIGHT AND PATENT LAWS OF THE UNITED STATES AND OTHER COUNTRIES. ANY REPRODUCTION IN PART OR AS A WHOLE WITHOUT WRITTEN PERMISSION IS PROHIBITED.

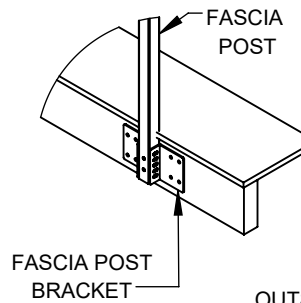
<b>TOLERANCES</b>				<b>BARRETTE</b> Outdoor Living	
FRACTION	±1/16	DRAWN:	TB	DATE:	5/18/2021
XX	±0.01	APPROVED:			
XXX	±0.005	DESCRIPTION:			
ANGLE	±1.0°	<b>EXCALIBUR COMPONENT DETAILS</b>			
FINISH	125 RMS	SHEET 4 OF 8		REVISION	PART NUMBER
UNLESS OTHERWISE SPECIFIED		SCALE 1:16		0	
		WEIGHT: 43.67		N/A	

# EXCALIBUR POST MOUNT CONNECTIONS

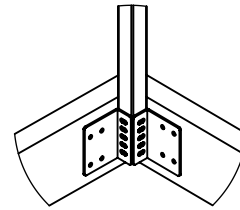
## FASCIA BRACKET



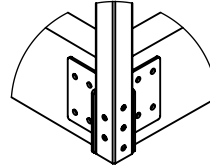
## IN LINE POST



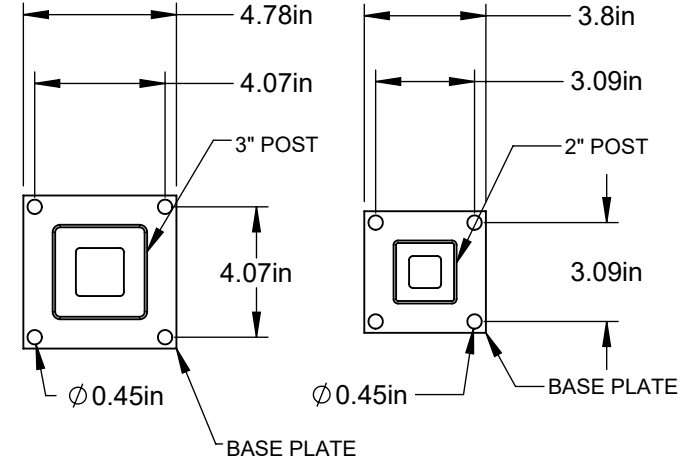
## INSIDE CORNER MOUNT



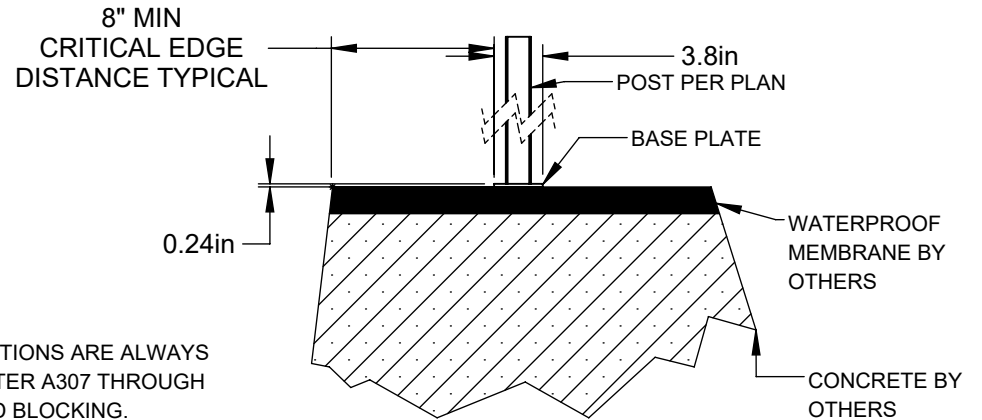
## OUTSIDE CORNER MOUNT



## POST DETAILS WITH BOTTOM PLATE

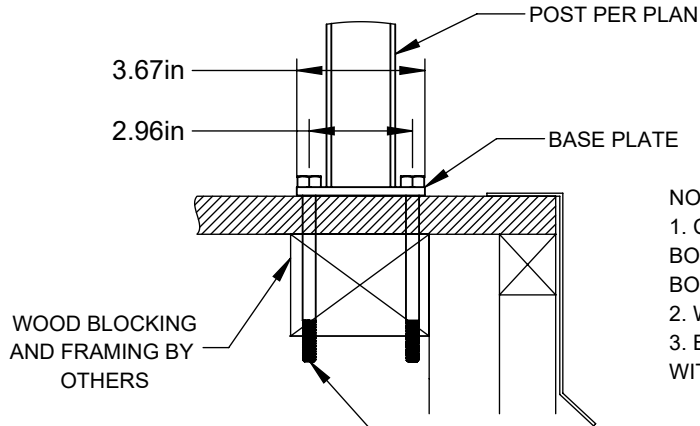


## POST BASE CONNECTION INTO CONCRETE W/ WEDGE ANCHORS



NOTE:  
BRACKETS ARE NOT INCLUDED WITH FASCIA POST. THEY WILL NEED TO BE BOUGHT AND INSTALLED SEPARATELY

## POST BASE CONNECTIONS INTO WOOD WITH THRU BOLTS




NOTE:  
1. COMMERCIAL APPLICATIONS ARE ALWAYS BOLTED, USE 3/8" DIAMETER A307 THROUGH BOLTS INTO SOLID WOOD BLOCKING.  
2. WOOD BLOCKING BY OTHERS.  
3. BLOCKING MUST BE DESIGNED TO WITHSTAND PROPER LOADING.

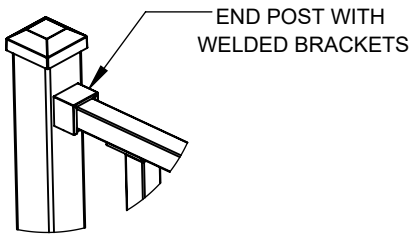
NOTE:  
USE (4)-3/8"x7" LONG WEDGE ANCHORS USE SIMPSON SET EPOXY INTO CONCRETE WITH 5" EMBEDMENT DEPTH

USE 3/8" DIAMETER THROUGH BOLTS (MINIMUM LENGTH 5") INTO WOOD MEMEBERS WITH MINIMUM EMBEDMENT DEPTH OF 4" INTO SOLID WOOD.

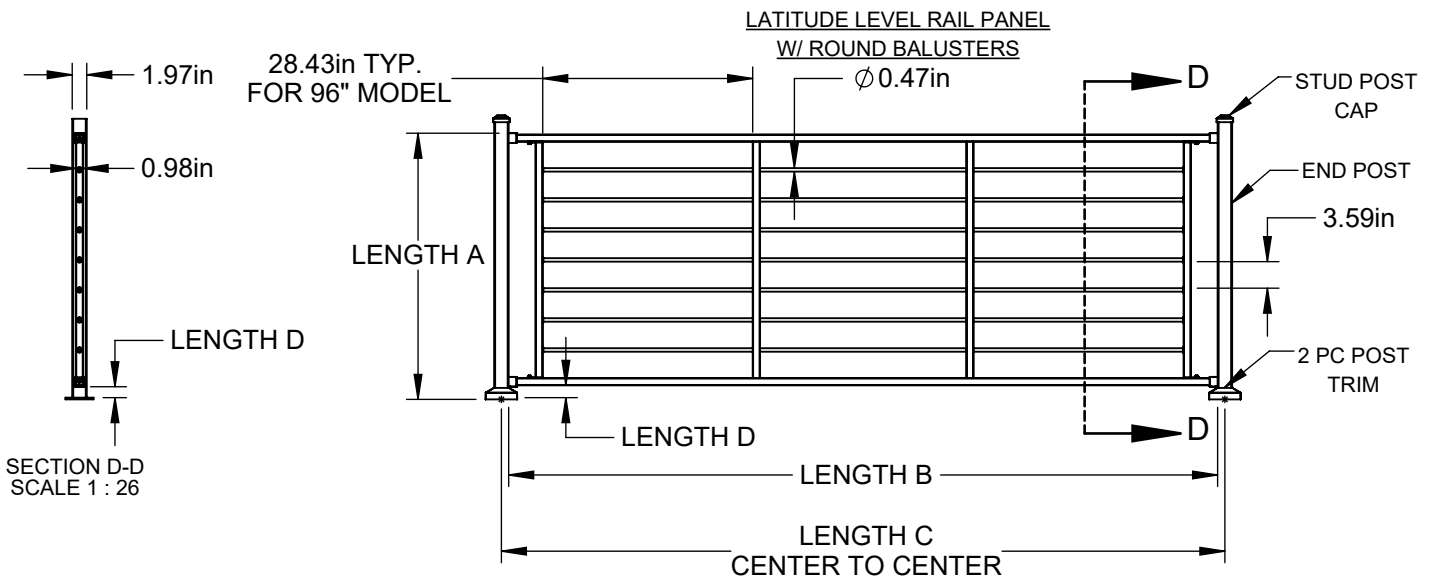
THE INFORMATION CONTAINED IN THIS DRAWING IS PROTECTED BY COPYRIGHT AND PATENT LAWS OF THE UNITED STATES AND OTHER COUNTRIES. ANY REPRODUCTION IN PART OR AS A WHOLE WITHOUT WRITTEN PERMISSION IS PROHIBITED.

TOLERANCES		 <b>BARRETTE</b> Outdoor Living	
FRACTION	±1/16	DRAWN:	TB
XX	±0.01	DATE:	5/18/2021
XXX	±0.005	APPROVED:	
ANGLE	±1.0°	DESCRIPTION:	<b>EXCALIBUR POST MOUNT DETAIL</b>
FINISH	125 RMS	SHEET 5 OF 8	REVISION PART NUMBER
UNLESS OTHERWISE SPECIFIED		SCALE 1:16	0
		WEIGHT: 43.67	N/A

**EXCALIBUR LATITUDE LEVEL AND STAIR RAIL DETAILS**

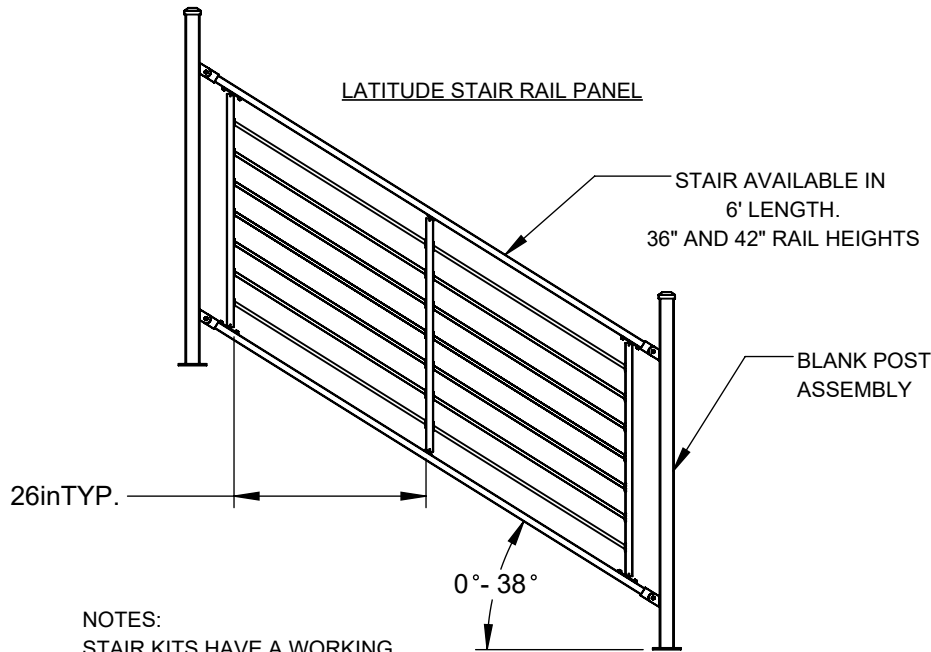


NOTES:  
POST INCLUDES BRACKET COVERS TO HIDE FASTENERS



SECTION D-D  
SCALE 1 : 26


**LATITUDE STAIR RAIL PANEL**



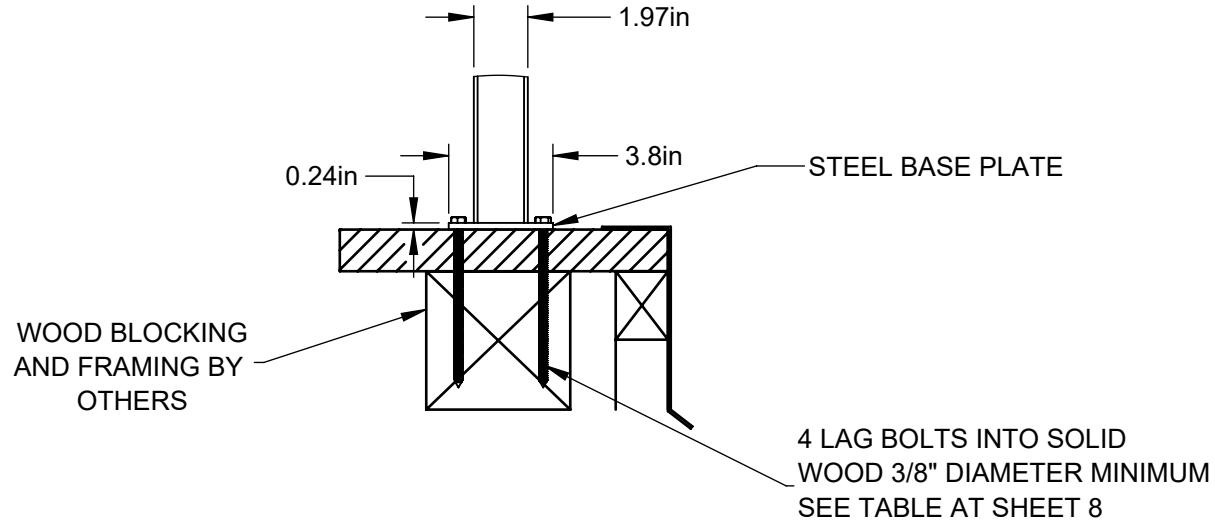
NOTES:  
STAIR KITS HAVE A WORKING RANGE OF 0-38 DEGREES.

NOTES:  
(A) FINISHED RAIL HEIGHT = 36", 42"  
(B) PANEL LENGTH = 71.75", 95.75"  
(C) MAX SPAN = 96.00" X 42 IBC, 96.00" X 36 IRC  
(D) BOTTOM SPACE = 1.75"  
(E) 71.75" LENGTH HAS 1 MID SUPPORT.  
95.75" LENGTH HAS 2 MID SUPPORTS.

THE INFORMATION CONTAINED IN THIS DRAWING IS PROTECTED BY COPYRIGHT AND PATENT LAWS OF THE UNITED STATES AND OTHER COUNTRIES. ANY REPRODUCTION IN PART OR AS A WHOLE WITHOUT WRITTEN PERMISSION IS PROHIBITED.

<b>TOLERANCES</b>				<b>BARRETTE</b> Outdoor Living	
FRACTION	±1/16	DRAWN:	TB	DATE:	5/18/2021
XX	±0.01	APPROVED:			
XXX	±0.005	DESCRIPTION:			
ANGLE	±1.0°	<b>EXCALIBUR LATITUDE RAILING</b>			
FINISH	125 RMS	SHEET 6 OF 8		REVISION	PART NUMBER
UNLESS OTHERWISE SPECIFIED		SCALE: NTS		0	
		WEIGHT: 43.67		N/A	

## EXCALIBUR POST AND SURFACE MOUNT DETAILS




POST BASE CONNECTION INTO  
WOOD WITH LAG BOLTS

**NOTE:**

1. WOOD BLOCKING BY OTHERS.
2. BLOCKING MUST BE DESIGNED TO WITHSTAND PROPER LOADING.

THE INFORMATION CONTAINED IN THIS DRAWING IS PROTECTED BY COPYRIGHT AND PATENT LAWS OF THE UNITED STATES AND OTHER COUNTRIES. ANY REPRODUCTION IN PART OR AS A WHOLE WITHOUT WRITTEN PERMISSION IS PROHIBITED.

		<b>BARRETTE</b> Outdoor Living	
DRAWN: TB	DATE: 7/26/21	APPROVED: CH	
<b>EXCALIBUR POST AND SURFACE MOUNT DETAIL</b>			
SHEET 7 OF 8		REVISION	PART NUMBER
SCALE 1:16		0	<b>N/A</b>
WEIGHT: N/A			

## MOUNTING SCHEDULE

FOR RESIDENTIAL APPLICATIONS 36" HIGH					
PANEL WIDTH	LOAD	RECOMMENDED BOLT APPLICATION	FOR LAG BOLT APPLICATION 3/8" DIA. SCREW. MINIMUM EMBEDDED SCREW THREAD LENGTH REQUIRED	FOR THROUGH BOLT APPLICATION	FOR CONCRETE ANCHOR APPLICATION 3/8" TITAN HD ANCHOR MINIMUM REQUIRED LENGTH (MINIMUM DISTANCE OF 4" FROM EDGE REQUIRED)
8FT	200LBS	LAG BOLT -OR- THROUGH BOLT -OR- CONCRETE ANCHOR	3.5IN	3/8" HEX BOLT 3/8" FLAT WASHER 3/8" LOCK WASHER 3/8" NUT	4IN
6FT			3IN		3IN
4FT			2.5IN		3IN

FOR COMMERCIAL APPLICATIONS 42" HIGH					
PANEL WIDTH	LOAD	RECOMMENDED BOLT APPLICATION	FOR LAG BOLT APPLICATION 3/8" DIA. SCREW. MINIMUM EMBEDDED SCREW THREAD LENGTH REQUIRED	FOR THROUGH BOLT APPLICATION	FOR CONCRETE ANCHOR APPLICATION 3/8" TITAN HD ANCHOR MINIMUM REQUIRED LENGTH (MINIMUM DISTANCE OF 4" FROM EDGE REQUIRED)
8FT	400LBS	THROUGH BOLT -OR- CONCRETE ANCHOR	3.5IN	3/8" HEX BOLT 3/8" FLAT WASHER 3/8" LOCK WASHER 3/8" NUT	4IN
6FT	300LBS	LAG BOLT -OR- THROUGH BOLT -OR- CONCRETE ANCHOR	3IN		3IN
4FT	200LBS	LAG BOLT -OR- THROUGH BOLT -OR- CONCRETE ANCHOR	2.5IN		3IN



**BARRETTE**  
Outdoor Living

DRAWN: JS	DATE: 1/22/2021	APPROVED: CH
-----------	-----------------	--------------

DESCRIPTION: <b>MOUNTING SCHEDULE</b>		
SHEET 8 OF 8	REVISION	PART NUMBER
SCALE 1:16	0	<b>N/A</b>
WEIGHT: N/A		

THE INFORMATION CONTAINED IN THIS DRAWING IS PROTECTED BY COPYRIGHT AND PATENT LAWS OF THE UNITED STATES AND OTHER COUNTRIES. ANY REPRODUCTION IN PART OR AS A WHOLE WITHOUT WRITTEN PERMISSION IS PROHIBITED.