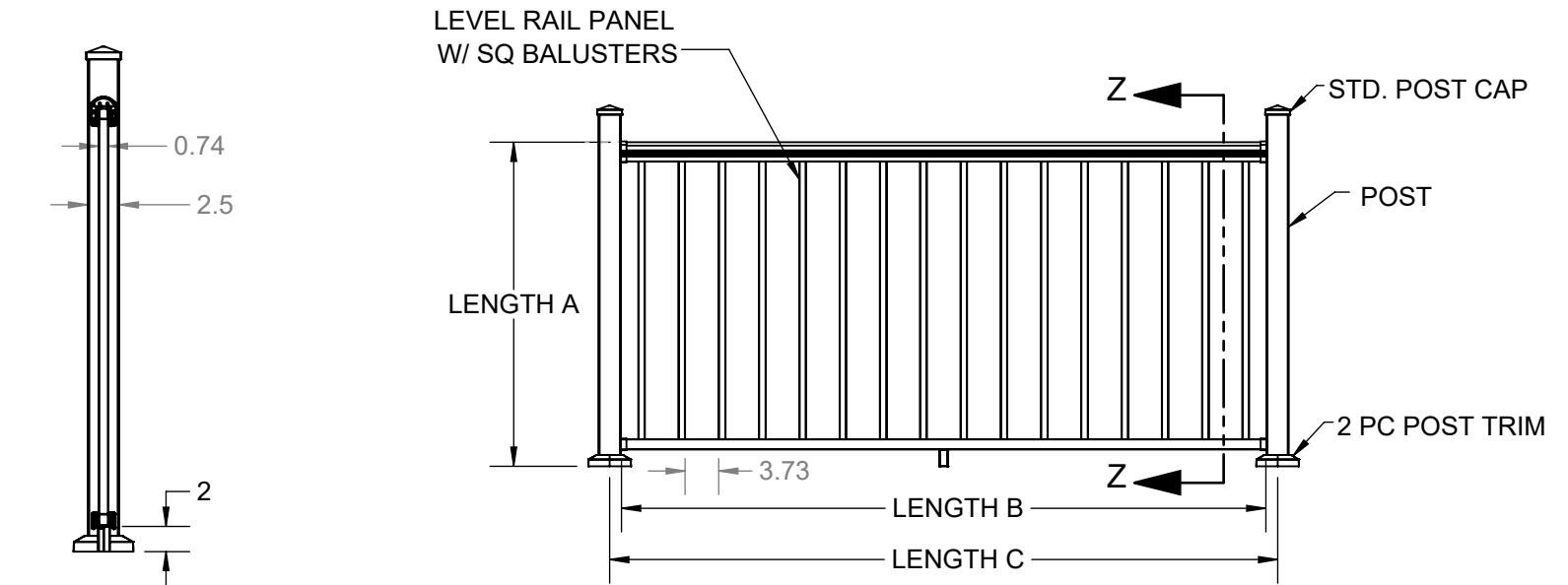
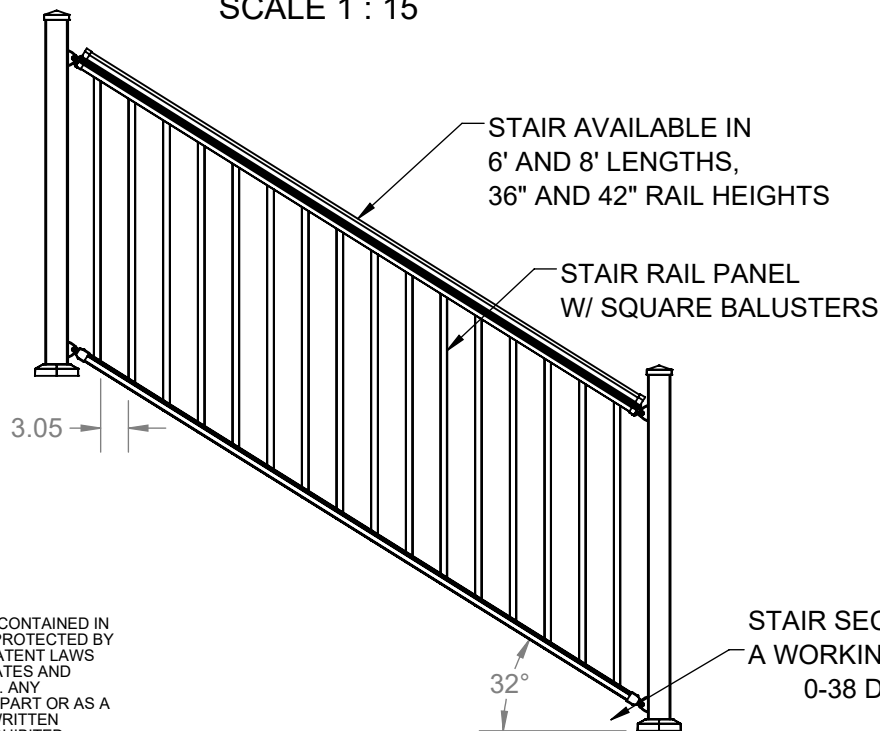


# AVALON ALUMINUM RAIL AND BALUSTER DETAILS



**NOTE:**  
 (A) FINISHED RAIL HEIGHT = 36", 42"  
 (B) PANEL LENGTH = 71.75", 95.75"  
 (C) MAX IRC AND IBC SPANS = 98.5"X36", 98.5"X42"



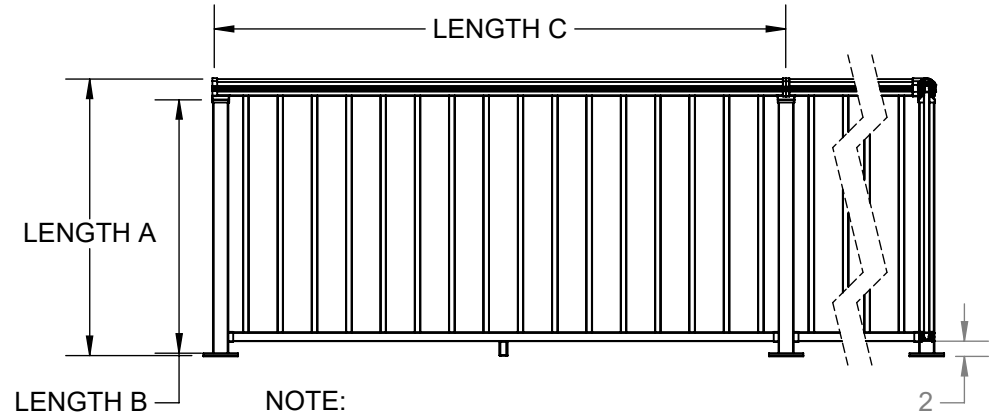
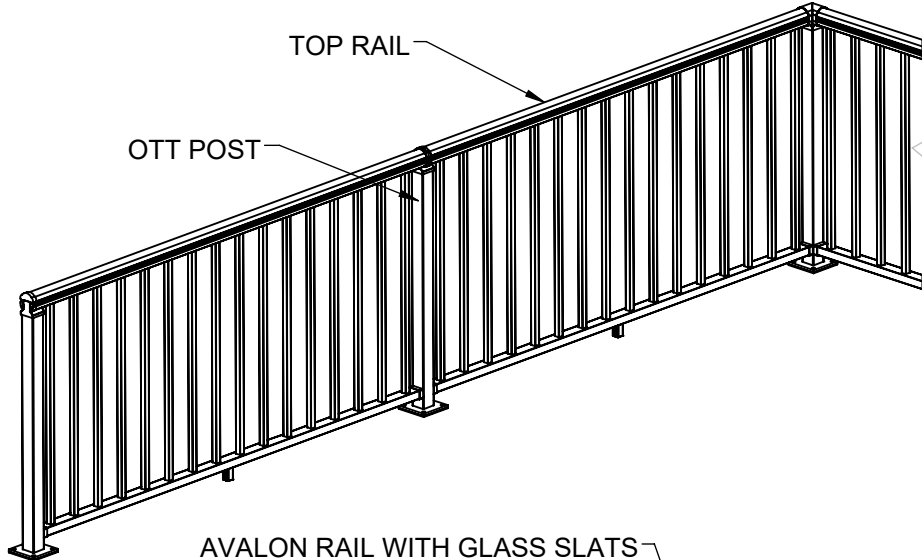
THE INFORMATION CONTAINED IN THIS DRAWING IS PROTECTED BY COPYRIGHT AND PATENT LAWS OF THE UNITED STATES AND OTHER COUNTRIES. ANY REPRODUCTION IN PART OR AS A WHOLE WITHOUT WRITTEN PERMISSION IS PROHIBITED.

		<b>BARRETTE</b> Outdoor Living	
DRAWN: RP	DATE: 4/5/2018	APPROVED:	
<b>AVALON LEVEL AND STAIR RAIL</b>			
SHEET 1 OF 4	REVISION	PART NUMBER	
SCALE 1:21		<b>N/A</b>	
WEIGHT: N/A			

# AVALON OVER THE TOP (OTT) AND GLASS LEVEL RAIL DETAILS

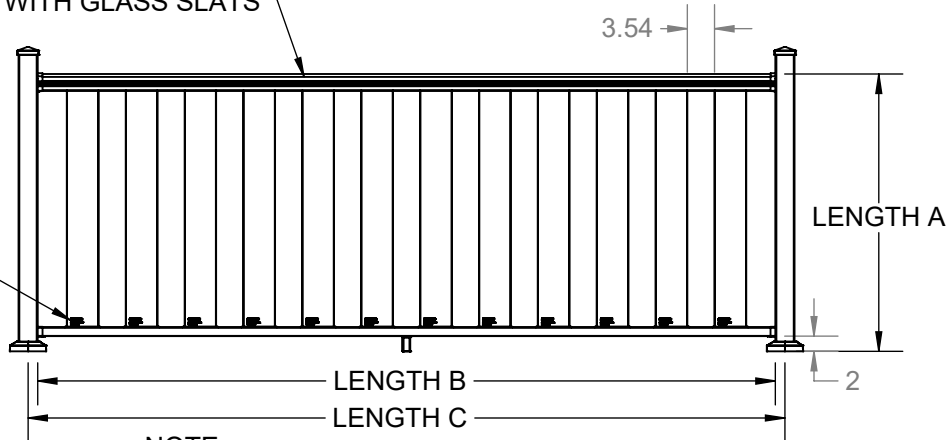
**NOTE:**

1. FOR OTT, A TOP RAIL LONGER THAN PANEL LENGTH IS NEEDED AND THERE IS A MAXIMUM CENTER TO CENTER POST SPACING OF 93.25" ACHIEVED USING A 95.5" RAIL.
3. IBC COMPLIANT FOR SECTIONS INSTALLED BETWEEN POSTS, 72" ON CENTER. IRC COMPLIANT FOR SECTIONS INSTALLED BETWEEN POSTS, 96" ON CENTER. STANDARD INSTALLS DO NOT HAVE THIS LIMITATION.
4. NO STAIRS AVAILABLE FOR AVALON OTT OR GLASS.



- NOTE:**
- (A) FINISHED RAIL HEIGHT = 36", 42"
  - (B) POST HEIGHT = 33", 39"
  - (C) MAX IRC AND IBC SPAN = 93.25"X36", 93.25"X42"


AVALON RAIL WITH GLASS SLATS



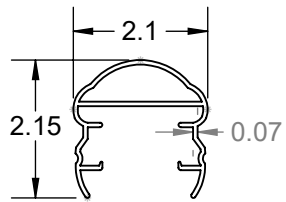
**NOTE:**  
ANSI Z97.1 2004  
16 CFR 1201 C11  
SGCC 2975 1/4UA  
TEMPERED

- NOTE:**
- (A) FINISHED RAIL HEIGHT = 36", 42"
  - (B) PANEL LENGTH = 71.75", 95.75"
  - (C) MAX SPANS = 98.5X36" IRC, 98.5X42" IBC

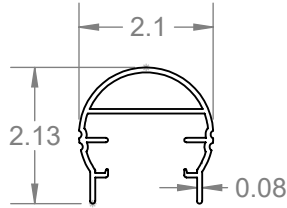
THE INFORMATION CONTAINED IN THIS DRAWING IS PROTECTED BY COPYRIGHT AND PATENT LAWS OF THE UNITED STATES AND OTHER COUNTRIES. ANY REPRODUCTION IN PART OR AS A WHOLE WITHOUT WRITTEN PERMISSION IS PROHIBITED.

		<b>BARRETTE</b> Outdoor Living	
DRAWN: RP	DATE: 4/5/2018	APPROVED:	
<b>AVALON OVER TOP AND GLASS RAIL</b>			
SHEET 2 OF 4	REVISION	PART NUMBER	
SCALE 1:25	0	<b>N/A</b>	
WEIGHT: N/A			

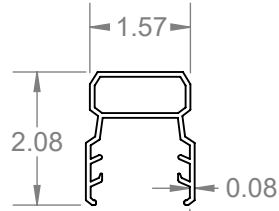
## TOP AND BOTTOM RAIL



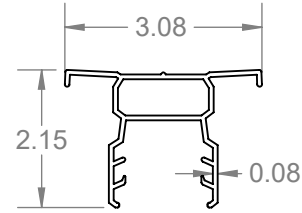
PELLINORE TOP RAIL



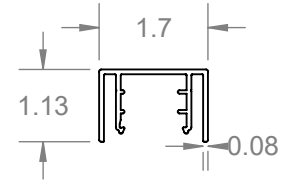
LANVAL TOP RAIL



TRISTAN TOP RAIL



OBERON TOP RAIL  
(SEE NOTE 1.)

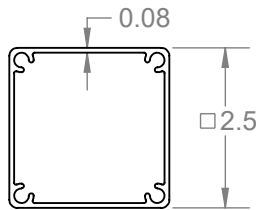


BOTTOM RAIL

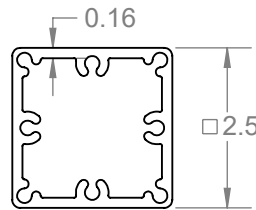
**NOTE:**

1. A DECK BOARD MUST BE USED WHEN INSTALLING OBERON.
2. BRACKET COVERS ARE INCLUDED WITH TOP RAIL.

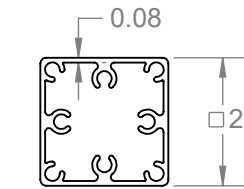
## POSTS



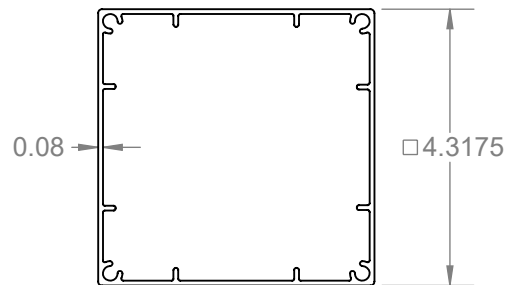
AVL POST EXTRUSION



AVL HD POST EXTRUSION

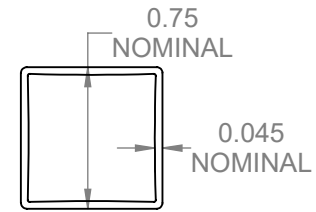


AVL OTP POST EXTRUSION

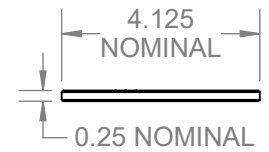


AVL AR POST EXTRUSION

## BALUSTERS




SQ. BALUSTER



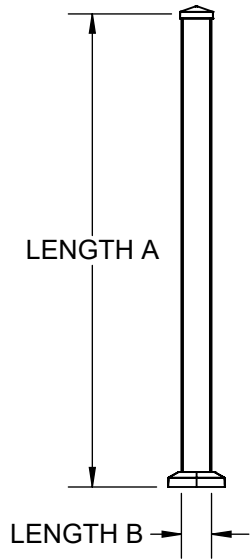
GLASS SLAT

THE INFORMATION CONTAINED IN THIS DRAWING IS PROTECTED BY COPYRIGHT AND PATENT LAWS OF THE UNITED STATES AND OTHER COUNTRIES. ANY REPRODUCTION IN PART OR AS A WHOLE WITHOUT WRITTEN PERMISSION IS PROHIBITED.

		<b>BARRETTE</b> Outdoor Living	
DRAWN: RP	DATE: 10/25/2018	APPROVED:	
DESCRIPTION: <b>AVALON RAIL PROFILE</b>			
SHEET 3 OF 4	REVISION	PART NUMBER	
SCALE 1:3	0	N/A	
WEIGHT: N/A			

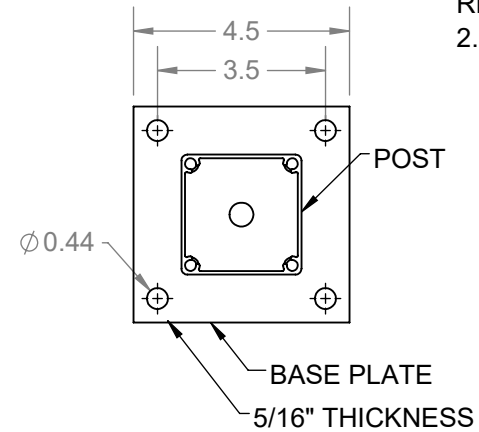
# AVALON POST AND SURFACE MOUNT DETAILS

NOTE: IMAGES ONLY REFERENCE 2" AND 2.5" POSTS.



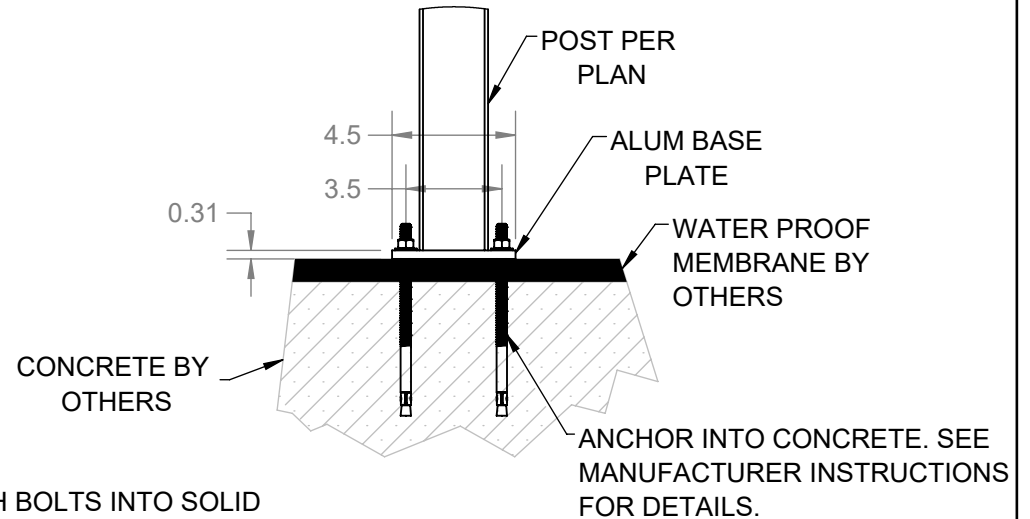
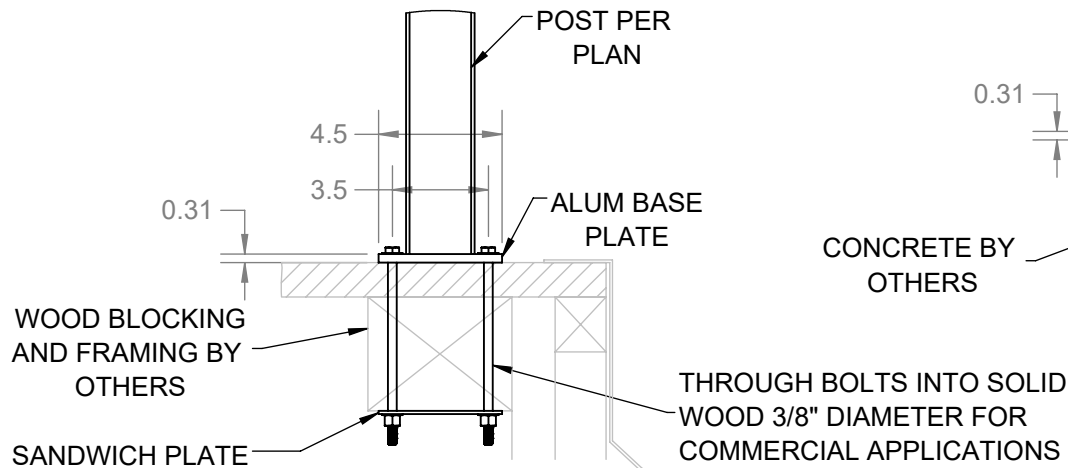
POSTS	LENGTH A	LENGTH B
STD. POST	39"	2.50"
STD. POST	45"	2.50"
STD. POST	60"	2.50"
HD. POST	45"	2.50"
HD. POST	60"	2.50"
OTP. POST	33"	2.00"
OTP. POST	39"	2.00"
AR. POST	39"	4.32"
AR. POST	45"	4.32"
AR. POST	108"	4.32"

Note: Includes base plate, sandwich plate, trim ring, post cap, vinyl shims.



POST BASE CONNECTION INTO CONCRETE WITH WEDGE ANCHORS

POST BASE CONNECTION INTO WOOD WITH THROUGH BOLTS



**NOTE:**

1. COMMERCIAL APPLICATIONS ARE ALWAYS BOLTED, USE 3/8" DIAMETER A307 THROUGH BOLTS INTO SOLID WOOD BLOCKING.
2. WOOD BLOCKING BY OTHERS.
3. BLOCKING MUST BE DESIGNED TO WITHSTAND PROPER LOADING.

THE INFORMATION CONTAINED IN THIS DRAWING IS PROTECTED BY COPYRIGHT AND PATENT LAWS OF THE UNITED STATES AND OTHER COUNTRIES. ANY REPRODUCTION IN PART OR AS A WHOLE WITHOUT WRITTEN PERMISSION IS PROHIBITED.

		<b>BARRETTE</b> Outdoor Living
DRAWN:	RP	DATE:
	10/25/2018	APPROVED:
<b>AVALON POST AND SURFACE MOUNT DETAIL</b>		
SHEET 4 OF 4	REVISION	PART NUMBER
SCALE 1:16	0	N/A
WEIGHT: N/A		