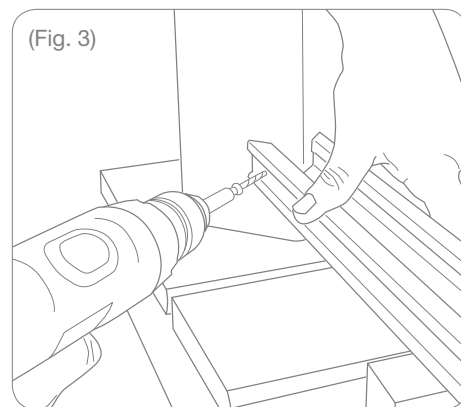
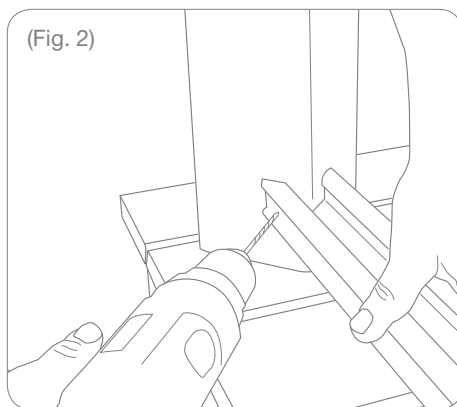
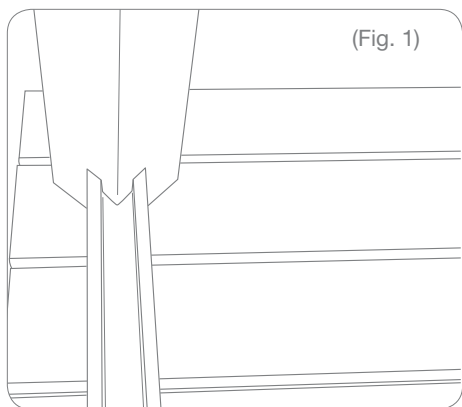


CORNER LEVEL RAIL

NOVALINE® INSTALLATION INSTRUCTIONS SUPPLEMENT

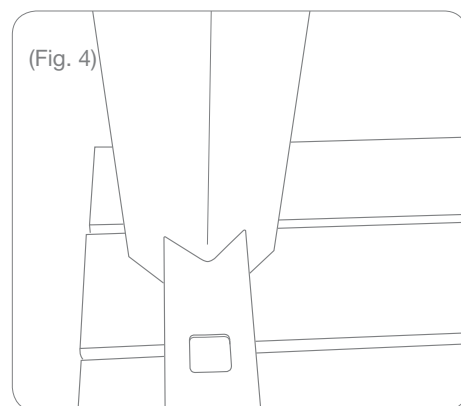


1.

Discard the mounting brackets. Cut the bottom beam at a 45° v-notch (Fig. 1). Pre-drill one inch away from the cut end, angled towards the mounting surface (Fig. 2).

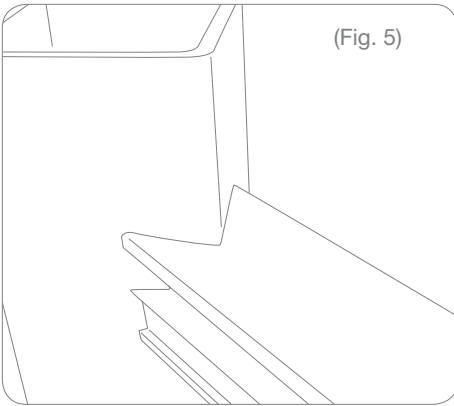
NOTE: Post layout for 45° angles should be positioned to install rail from corner to corner.

NOTE: If using a RDI Structural Post, pre-drill at an angle to ensure the mounting screw is secured to the centering extrusion.

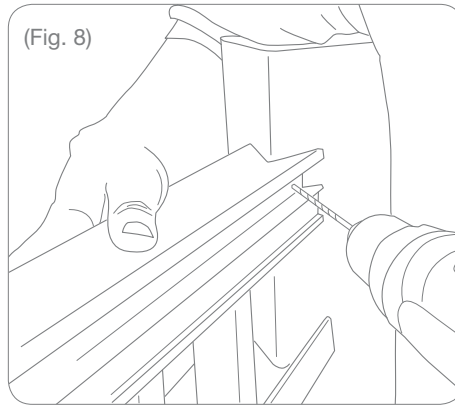


2.

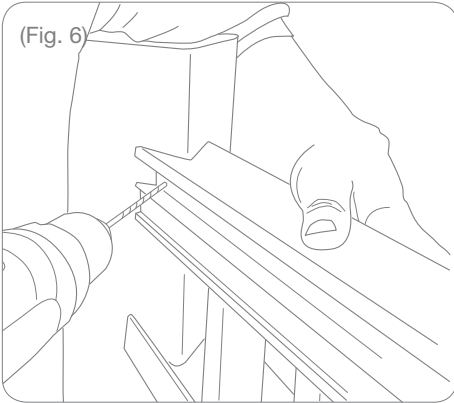
Secure the bottom beam with screws to the mounting surface (Fig. 3). Cut the bottom cover at a 45° v-notch (Fig. 4) and install following the master installation instructions.



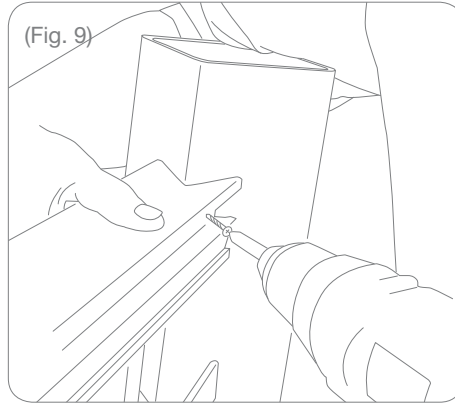
(Fig. 5)



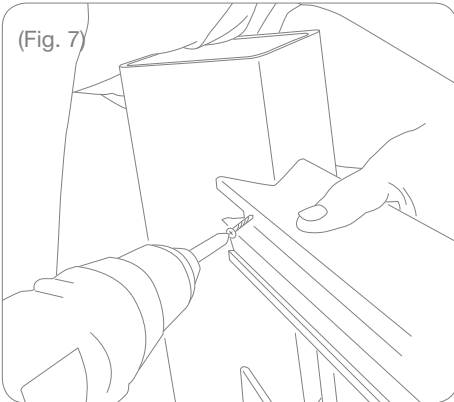
(Fig. 8)



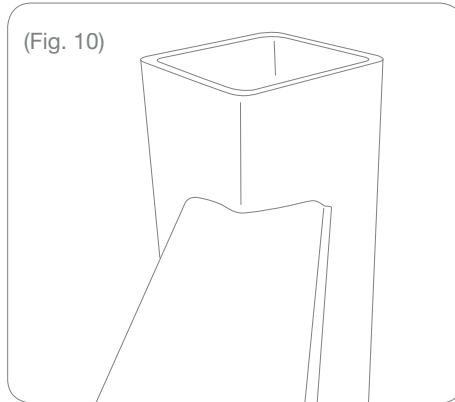
(Fig. 6)



(Fig. 9)



(Fig. 7)



(Fig. 10)

3.

Cut the top beam and beam cover at a 45° v-notch. Repeat bottom beam process for top beam installation (Fig. 5, 6, 7, 8, 9). Cut the top cover at a 45° v-notch (Fig. 10) and install following the master installation instructions.



RAILING DYNAMICS, INC.

Maintenance-Free Building Solutions
135 Steelmanville Road
Egg Harbor Township, NJ 08234

Tel: (877) 420-7245
Fax: (866) 277-5160
Email: cs@rdirail.com
URL: www.rdirail.com